

www.tempLED.de



tempLED




HIGH TEMPERATURE ROUTE- AND ORIENTATION LIGHT

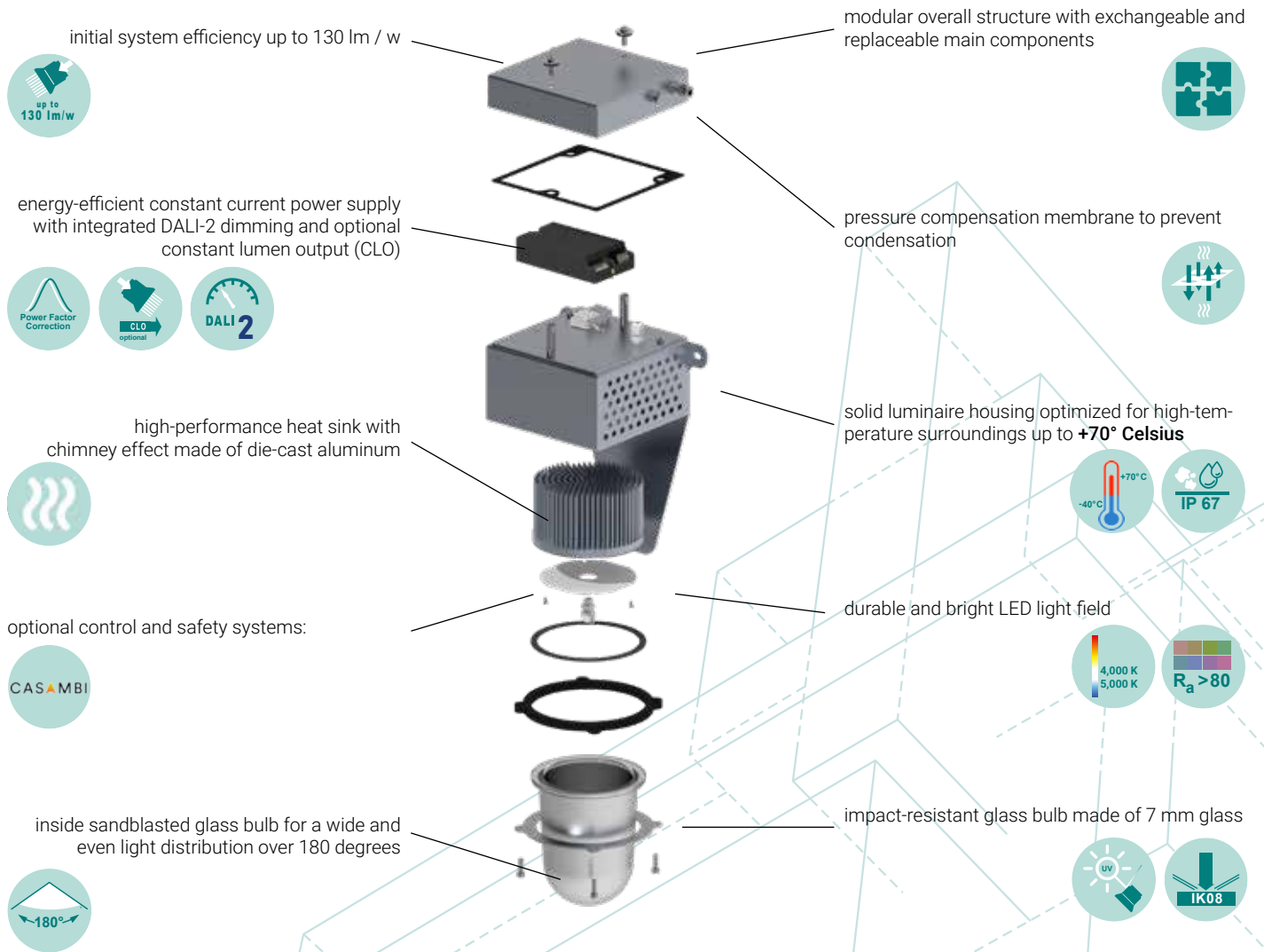
tempLED RayWay HT

30 | 50

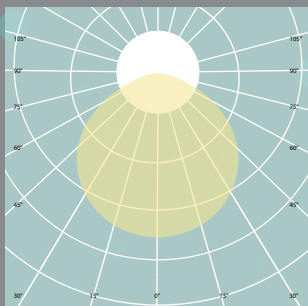
Our customer
ArcelorMittal

HIGH TEMPERATURES 

tempLED



Light distribution curve tempLED RayWay HT 30 | 50



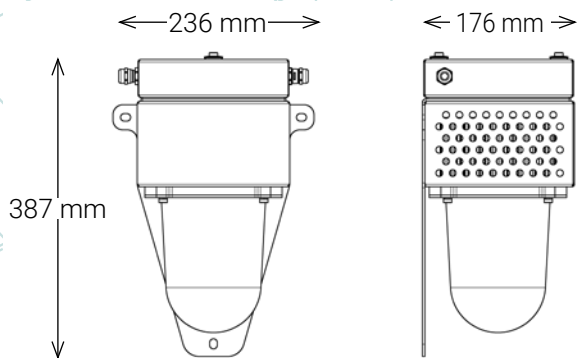
180 degrees symmetrical diffuse distribution



tempLED RayWay HT 30 | 50



Dimensions tempLED RayWay HT 30 | 50



Mounting options tempLED RayWay HT 30 | 50

wall mounting



ceiling mounting



with optional
ceiling mounting bracket
(080016)

General technical data

according to IEC, identical for all types of luminaires



Lighting properties:

initial luminous flux:	3,900 to 6,500 lumens
luminous flux tolerance:	± 10 percent
initial system efficiency:	up to 130 lumens / watt
initial, most similar color temperature:	4,000 kelvins 5,000 kelvins ¹
initial color rendering index (CRI):	Ra > 80
initial color consistency:	< 5 SDCM
available symmetrical beam angles:	180 degrees
photobiological safety:	IEC/TR 62778: 1
compact flicker degree (CFD):	on request

Electrotechnical properties:

power supply AC:	198 to 240 volts
supply frequency:	50 / 60 hertz
power supply DC:	176 to 250 volts
system performance:	30 to 50 watts
system performance tolerance:	± 10 percent
power factor:	> 0.97
overvoltage protection:	yes
overheating protection:	yes
temperature monitoring:	yes
total harmonic distortion (THD):	< 8 percent
temperature classification (ATEX):	T5
Tc - temperature:	+85 degrees Celsius

Energy characteristics:

Valid for all tempLED RayWay HT: This product contains a light source of energy efficiency class E.

Mounting options:

standard mounting options:	wall mounting
optional mounting options:	ceiling mouting with ceiling mounting bracket (080016)

¹ additional color temperatures on request.

Control and safety properties:

dimming:	DALI-2
minimum dimming level:	5 percent
constant lumen output (CLO):	optional
control via the Casambi network:	optional ¹
human centric lighting:	on request
daylight control system:	optional via the Casambi network ¹

Housing properties:

ambient temperature:	-40 to +70 degrees Celsius
ingress protection:	IP 67
impact resistance level:	IK08
electrical protection class:	I
limited surface temperatur (D):	yes
pressure compensation membrane:	yes
housing and heat sink material(s):	die-cast aluminum and steel
glas bulb material:	7 mm glass, sandblasted
glas bulb finish:	opaque
luminaire housing color:	white aluminium according to RAL 9006 ²
surface finish:	powder coating ²
through wiring:	5-pole via one terminal block
supply cable in- and outlet:	2x cable gland
number of poles:	3 grid / 2 DALI

Additional information:

certificates:	ENEC in preparation
conformities:	CE and RoHS
lifespan (L70B10C1):	approx. 100,000 hours
lifespan (L90B10C1):	approx. 50,000 hours
guarantee:	5 years ³
spare part guarantee:	10 years
delievery includes:	luminaire and dummy plug for cable gland

¹ can only be used at ambient temperatures of max. +50 degrees Celsius.

² optional luminaire housing colors and finishes: Paintings according to RAL colour chart, powder coatings according to RAL colour chart or synthetic resin coating.

³ according to the warranty conditions of tempLED GmbH, excluding accessories.

Logistic information:

luminaire:	RayWay 30 50 HT
number of luminaires per package:	1
number of luminaires per pallet:	44
net weight of the luminaire:	7,000 g
gross weight per package:	7,900 g
package dimensions L x W x H:	241 x 181 x 392 mm

tempLED 30

	RayWay 30 - 180 HT	RayWay 30 - 180 HT
article number:	874384	874385
GTIN / EAN:	4260669199873	4260669199880
initial luminous flux:	3,900 lm	3,900 lm
initial system efficiency:	130 lm/w	130 lm/w
initial, most similar color temperature:	4,000 K	5,000 K
light distribution:	symmetrical	symmetrical
beam angle:	180 degrees	180 degrees
dimming / control:	DALI-2	DALI-2
system performance:	30 W	30 W
power consumption:	0.13 A	0.13 A
maximum inrush current:	32 A	32 A
dimensions (L x W x H):	236 x 176 x 387 mm	236 x 176 x 387 mm



tempLED 50

	RayWay 50 - 180 HT	RayWay 50 - 180 HT
article number:	874584	874585
GTIN / EAN:	4260669199132	4260669199149
initial luminous flux:	6,500 lm	6,500 lm
initial system efficiency:	130 lm/w	130 lm/w
initial, most similar color temperature:	4,000 K	5,000 K
light distribution:	symmetrical	symmetrical
beam angle:	180 degrees	180 degrees
dimming / control:	DALI-2	DALI-2
system performance:	50 W	50 W
power consumption:	0.22 A	0.22 A
maximum inrush current:	32 A	32 A
dimensions (L x W x H):	236 x 176 x 387 mm	236 x 176 x 387 mm

STOCK
ITEM

tempLED

Accessory catalogue RayWay HT

	art.-no.	GTIN / EAN
 <p>ceiling bracket mounting bracket for ceiling mounting, material: steel, finish: powder coating in white aluminium according to RAL 9006</p>	080016	4260669199897
 <p>Casambi control unit for integrating and controlling the luminaire via the Casambi network, can only be used at ambient temperatures of max. +50 degrees Celsius, mounted on the luminaire ready for use</p>	934228	4260669199903