

www.tempLED.de


tempLED



HALL LIGHTS

tempLED RayLance V2

75 | 100 | 145

Our customer
Voestalpine

HALL LIGHTS 
LIGHTING FOR SPORTS FACILITIES 

tempLED

initial system efficiency up to 180 lm / w



modular overall structure with exchangeable and replaceable main components



Certification for ball impact safety in combination with optional mounting accessories



energy-efficient constant current power supply with integrated DALI-2 dimming and optional constant lumen output (CLO)



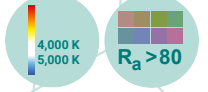
solid luminaire housing with durable powder coating and a smooth surface texture



pressure compensation membrane to prevent condensation



four durable and bright LED light field



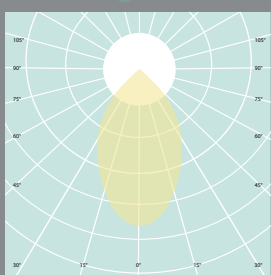
optional control and safety systems:



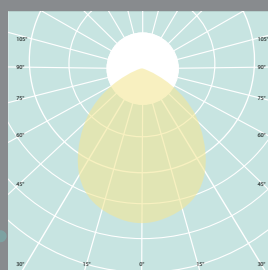
impact and UV-resistant high-performance optical system with three practical beam angles and a unified glare rating (UGR) up to < 16



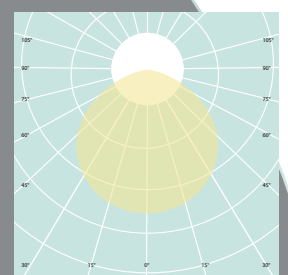
Light distribution curves tempLED RayLance V2 75 | 100 | 145



60 degrees symmetrical



90 degrees symmetrical



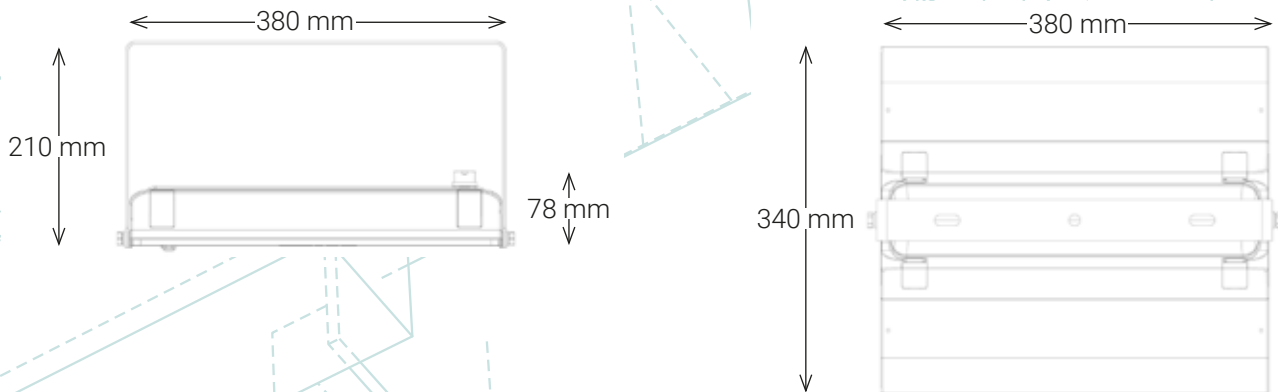
120 degrees symmetrical



tempLED RayLance V2 75 | 100 | 145

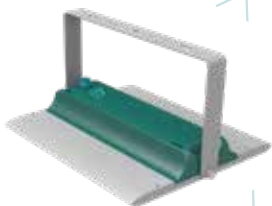


Dimensions tempLED RayLance V2 75 | 100 | 145

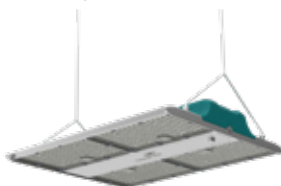


Mounting options tempLED RayLance V2 75 | 100 | 145

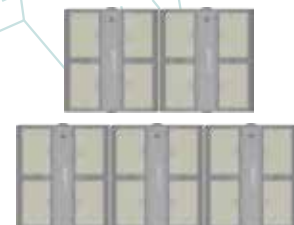
bracket mounting¹



pendant mounting²



double and triple
mounting³



¹ Adjustment range for surface mounting with standard mounting bracket: 0 to 90 degrees.

² Suitable mounting material available as accessory (932372).

³ Suitable mounting material available as accessory (932256/932257).

General technical data

according to IEC, identical for all types of luminaires



Lighting properties:

initial luminous flux:	13,500 to 26,100 lumens
luminous flux tolerance:	± 10 percent
initial system efficiency:	up to 180 lumens / watt
initial, most similar color temperature:	4,000 kelvins 5,000 kelvins ¹
initial color rendering index (CRI):	Ra > 80
initial color consistency:	< 5 SDCM
Available symmetrical beam angles:	60 90 120 degrees
photobiological safety:	IEC/TR 62778: 1
compact flicker degree (CFD):	1 percent

Electrotechnical properties:

power supply AC:	90 to 240 volts
supply frequency:	50 / 60 hertz
power supply DC:	127 to 250 volts
system performance:	75 to 145 watts
system performance tolerance:	± 10 percent
power factor:	> 0.90
overvoltage protection:	yes
overheating protection:	yes
temperature monitoring:	yes
total harmonic distortion (THD):	< 10 percent
temperature classification (ATEX):	T5
Tc - temperature:	+90 degrees Celsius

Energy characteristics:

Valid for all tempLED RayLance V2:	This product contains a light source of energy efficiency class B.
------------------------------------	--

Mounting options:

standard mounting options:	mounting bracket with adjustment range 0 to 90 degrees
optional mounting options:	4-point rope suspension, maximum suspension height 1.00 or 3.00 meters mounting bracket system with ball impact safety double holder system, fixed or adjustable triple holder system, fixed or adjustable

¹ additional color temperatures on request.

Control and safety properties:

dimming:	DALI-2
minimum dimming level:	10 percent
constant lumen output (CLO):	optional
control via the Casambi network:	optional
emergency light module:	optional ¹
human centric lighting:	on request
daylight control system:	optional via the Casambi network

Housing properties:

ambient temperature:	-30 to +50 degrees Celsius
ingress protection:	IP 66
impact resistance level:	IK08
electrical protection class:	I
limited surface temperatur (D):	yes
pressure compensation membrane:	yes
housing and heat sink material(s):	die-cast aluminum and polycarbonate
material(s) and finish of the standard ceiling bracket:	steel, powder-coated in white aluminium according to RAL 9006 ²
material of optical system:	impact- and UV-resistant polycarbonate
luminaire housing color:	white aluminium according to RAL 9006 ²
power supply housing color:	water blue according to RAL 5021 ²
surface finish:	powder coating ²
supply cable type:	H07RN-F 5G1
supply cable length:	250 centimeters
supply cable inlet:	Wieland connector RST20i5
supply cable connection type:	open cable end
number of poles:	3 grid / 2 DALI

Additional information:

certificates:	ENEC ball impact safety ³
conformities:	CE RoHS DIN 10500 (HACCP IFS) ⁴
lifespan (L70B10C1):	approx. 100,000 hours
lifespan (L90B10C1):	approx. 50,000 hours
guarantee:	5 years ⁵
spare part guarantee:	10 years
delivery includes:	luminaire and mounting bracket

¹ can only be used at ambient temperatures from +5 to +50 degrees Celsius.

² optional luminaire housing colors and finishes: Paintings according to RAL colour chart, powder coatings according to RAL colour chart or synthetic resin coating.

³ ball impact safety certificate only valid in combination with mounting bracket system (article number 932258).

⁴ DIN 10500 only valid in combination with optional upgrade package (article number 384932).

⁵ according to the warranty conditions of tempLED GmbH, excluding accessories.

Logistic information:

luminaire:	RayLance V2 75 100 145
number of luminaires per package:	1
number of luminaires per pallet:	76
net weight of the luminaire:	3,700 g
gross weight per package:	4,500 g
package dimensions L x W x H:	450 x 440 x 150 mm

tempLED 75

	RayLance V2 75 - 60	RayLance V2 75 - 90	RayLance V2 75 - 120
article number:	384164	384194	384124
GTIN / EAN:	4260745231565	4260745231589	4260745231541
initial luminous flux:	13,500 lm	13,500 lm	13,500 lm
initial system efficiency:	180 lm/w	180 lm/w	180 lm/w
initial, most similar color temperature:	4,000 K	4,000 K	4,000 K
light distribution:	symmetrical	symmetrical	symmetrical
beam angle:	60 degrees	90 degrees	120 degrees
dimming / control:	DALI-2	DALI-2	DALI-2
system performance:	75 W	75 W	75 W
power consumption:	0.33 A	0.33 A	0.33 A
maximum inrush current:	75 A	75 A	75 A
dimensions (L x W x H):	380 x 340 x 210 mm	380 x 340 x 210 mm	380 x 340 x 210 mm

tempLED 75

	RayLance V2 75 - 60	RayLance V2 75 - 90	RayLance V2 75 - 120
article number:	384165	384195	384125
GTIN / EAN:	4260745231572	4260745231596	4260745231558
initial luminous flux:	13,500 lm	13,500 lm	13,500 lm
initial system efficiency:	180 lm/w	180 lm/w	180 lm/w
initial, most similar color temperature:	5,000 K	5,000 K	5,000 K
light distribution:	symmetrical	symmetrical	symmetrical
beam angle:	60 degrees	90 degrees	120 degrees
dimming / control:	DALI-2	DALI-2	DALI-2
system performance:	75 W	75 W	75 W
power consumption:	0.33 A	0.33 A	0.33 A
maximum inrush current:	75 A	75 A	75 A
dimensions (L x W x H):	380 x 340 x 210 mm	380 x 340 x 210 mm	380 x 340 x 210 mm

tempLED 100

	RayLance V2 100 - 60	RayLance V2 100 - 90	RayLance V2 100 - 120
article number:	384264	384294	384224
GTIN / EAN:	4260745231626	4260745231640	4260745231602
initial luminous flux:	18,000 lm	18,000 lm	18,000 lm
initial system efficiency:	180 lm/w	180 lm/w	180 lm/w
initial, most similar color temperature:	4,000 K	4,000 K	4,000 K
light distribution:	symmetrical	symmetrical	symmetrical
beam angle:	60 degrees	90 degrees	120 degrees
dimming / control:	DALI-2	DALI-2	DALI-2
system performance:	100 W	100 W	100 W
power consumption:	0.44 A	0.44 A	0.44 A
maximum inrush current:	75 A	75 A	75 A
dimensions (L x W x H):	380 x 340 x 210 mm	380 x 340 x 210 mm	380 x 340 x 210 mm

tempLED 100

	RayLance V2 100 - 60	RayLance V2 100 - 90	RayLance V2 100 - 120
article number:	384265	384295	384225
GTIN / EAN:	4260745231633	4260745231657	4260745231619
initial luminous flux:	18,000 lm	18,000 lm	18,000 lm
initial system efficiency:	180 lm/w	180 lm/w	180 lm/w
initial, most similar color temperature:	5,000 K	5,000 K	5,000 K
light distribution:	symmetrical	symmetrical	symmetrical
beam angle:	60 degrees	90 degrees	120 degrees
dimming / control:	DALI-2	DALI-2	DALI-2
system performance:	100 W	100 W	100 W
power consumption:	0.44 A	0.44 A	0.44 A
maximum inrush current:	75 A	75 A	75 A
dimensions (L x W x H):	380 x 340 x 210 mm	380 x 340 x 210 mm	380 x 340 x 210 mm

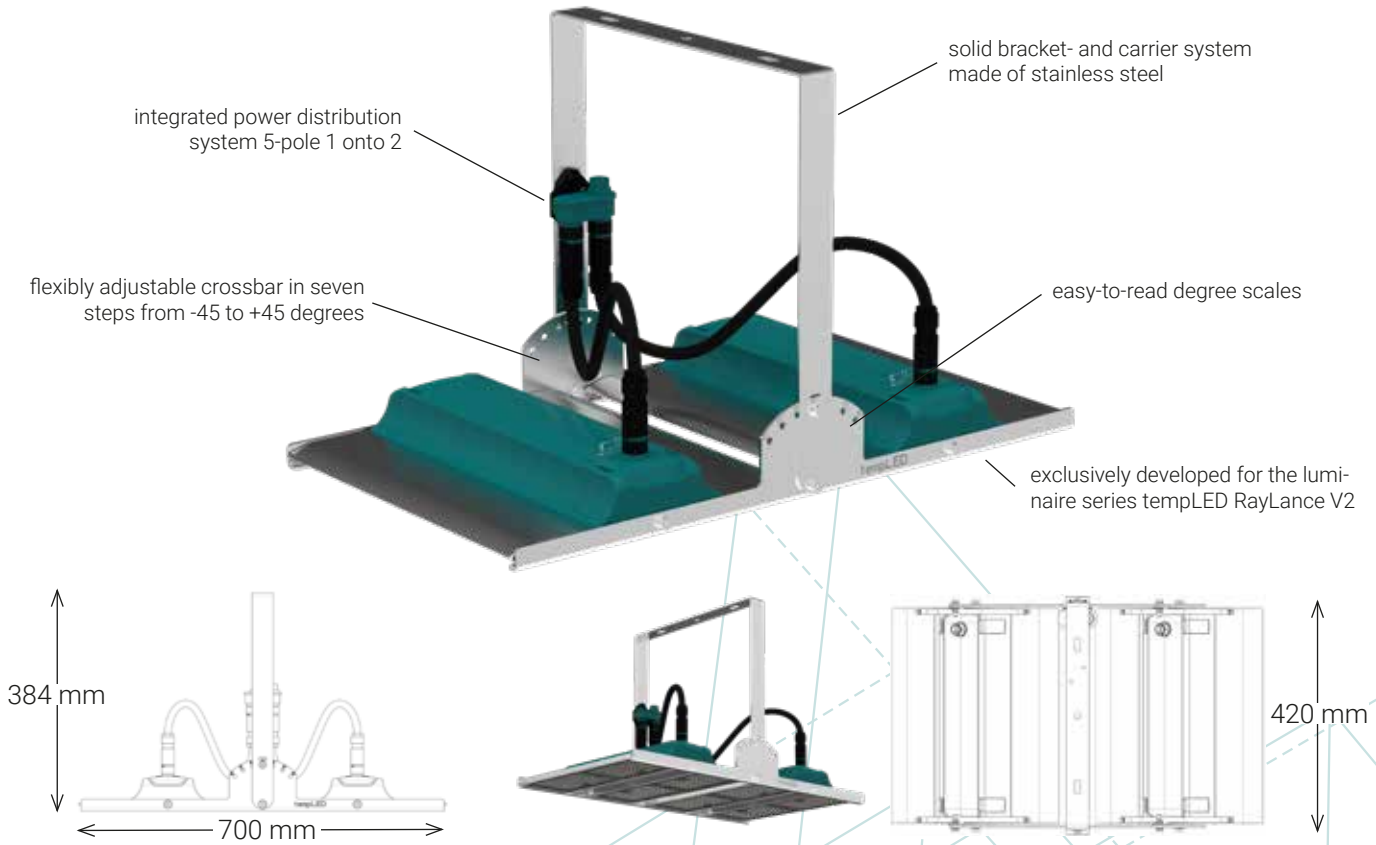
tempLED 145

	RayLance V2 145 - 60	RayLance V2 145 - 90	RayLance V2 145 - 120
article number:	384364	384394	384324
GTIN / EAN:	4260745231411	4260745231435	4260745231398
initial luminous flux:	26,100 lm	26,100 lm	26,100 lm
initial system efficiency:	180 lm/w	180 lm/w	180 lm/w
initial, most similar color temperature:	4,000 K	4,000 K	4,000 K
light distribution:	symmetrical	symmetrical	symmetrical
beam angle:	60 degrees	90 degrees	120 degrees
dimming / control:	DALI-2	DALI-2	DALI-2
system performance:	145 W	145 W	145 W
power consumption:	0.63 A	0.63 A	0.63 A
maximum inrush current:	75 A	75 A	75 A
dimensions (L x W x H):	380 x 340 x 210 mm	380 x 340 x 210 mm	380 x 340 x 210 mm

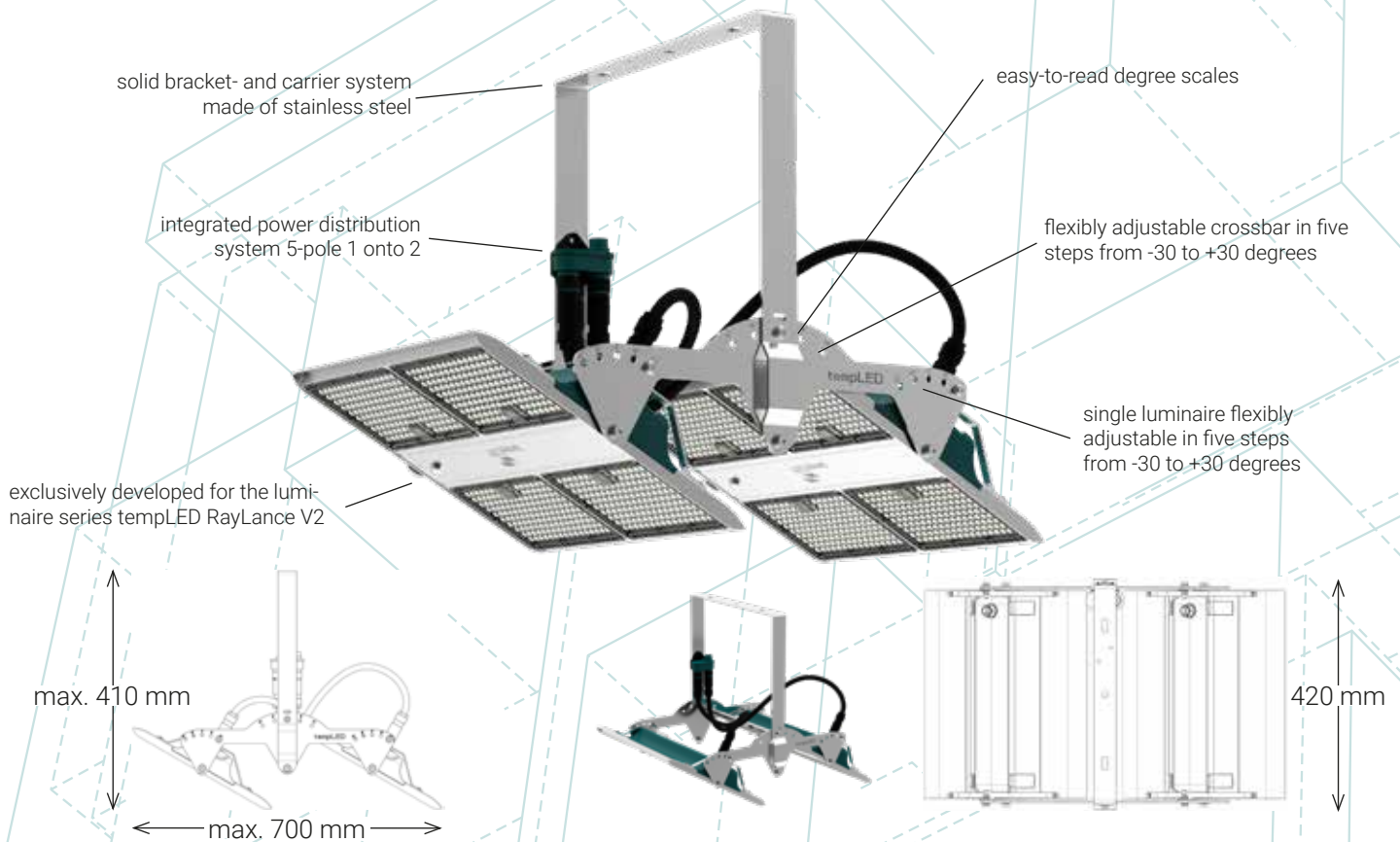
tempLED 145

	RayLance V2 145 - 60	RayLance V2 145 - 90	RayLance V2 145 - 120
article number:	384365	384395	384325
GTIN / EAN:	4260745231428	4260745231442	4260745231404
initial luminous flux:	26,100 lm	26,100 lm	26,100 lm
initial system efficiency:	180 lm/w	180 lm/w	180 lm/w
initial, most similar color temperature:	5,000 K	5,000 K	5,000 K
light distribution:	symmetrical	symmetrical	symmetrical
beam angle:	60 degrees	90 degrees	120 degrees
dimming / control:	DALI-2	DALI-2	DALI-2
system performance:	145 W	145 W	145 W
power consumption:	0.63 A	0.63 A	0.63 A
maximum inrush current:	75 A	75 A	75 A
dimensions (L x W x H):	380 x 340 x 210 mm	380 x 340 x 210 mm	380 x 340 x 210 mm

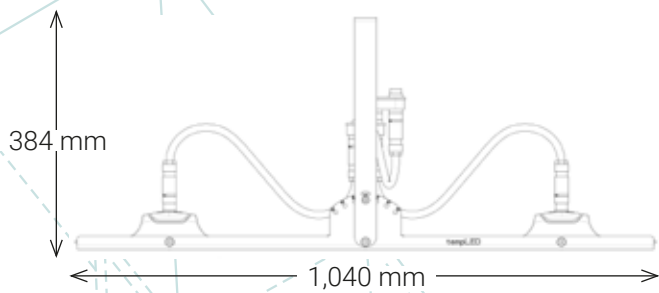
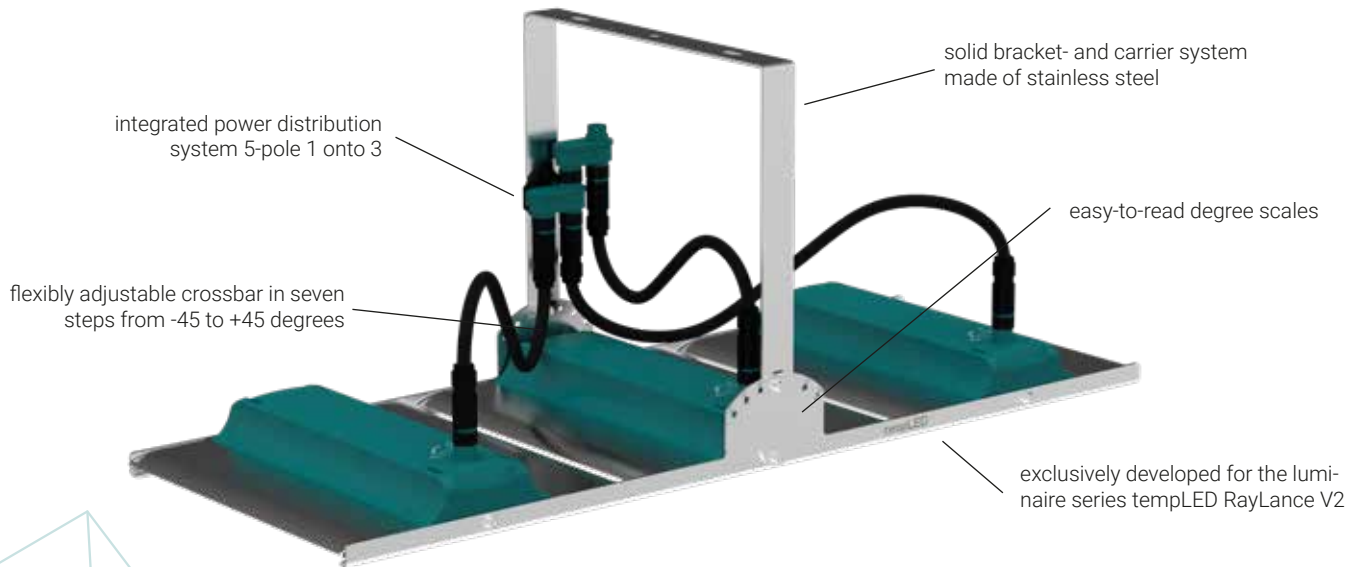
Double holder system tempLED RayLance V2 fixed version



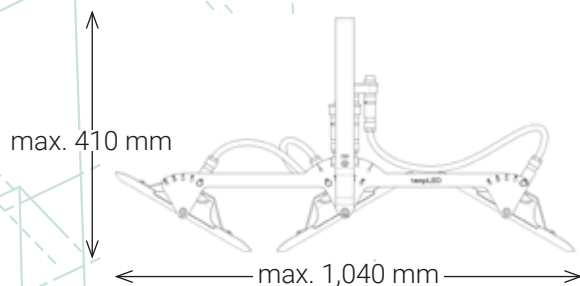
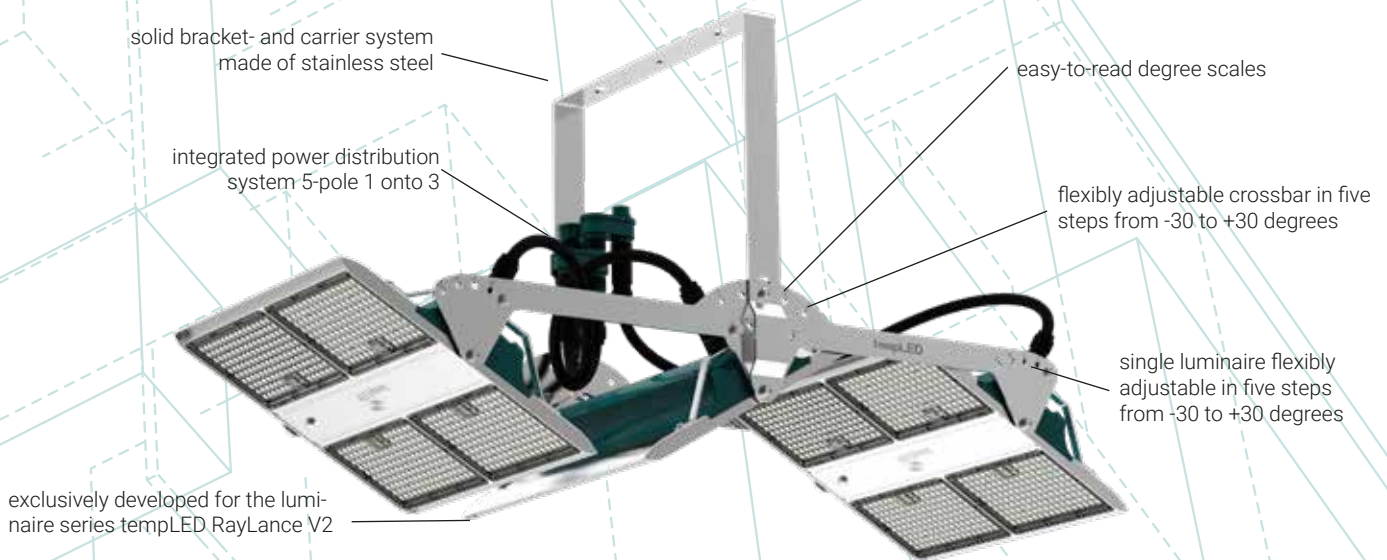
Double holder system tempLED RayLance V2 adjustable version



Triple holder system tempLED RayLance V2 fixed version

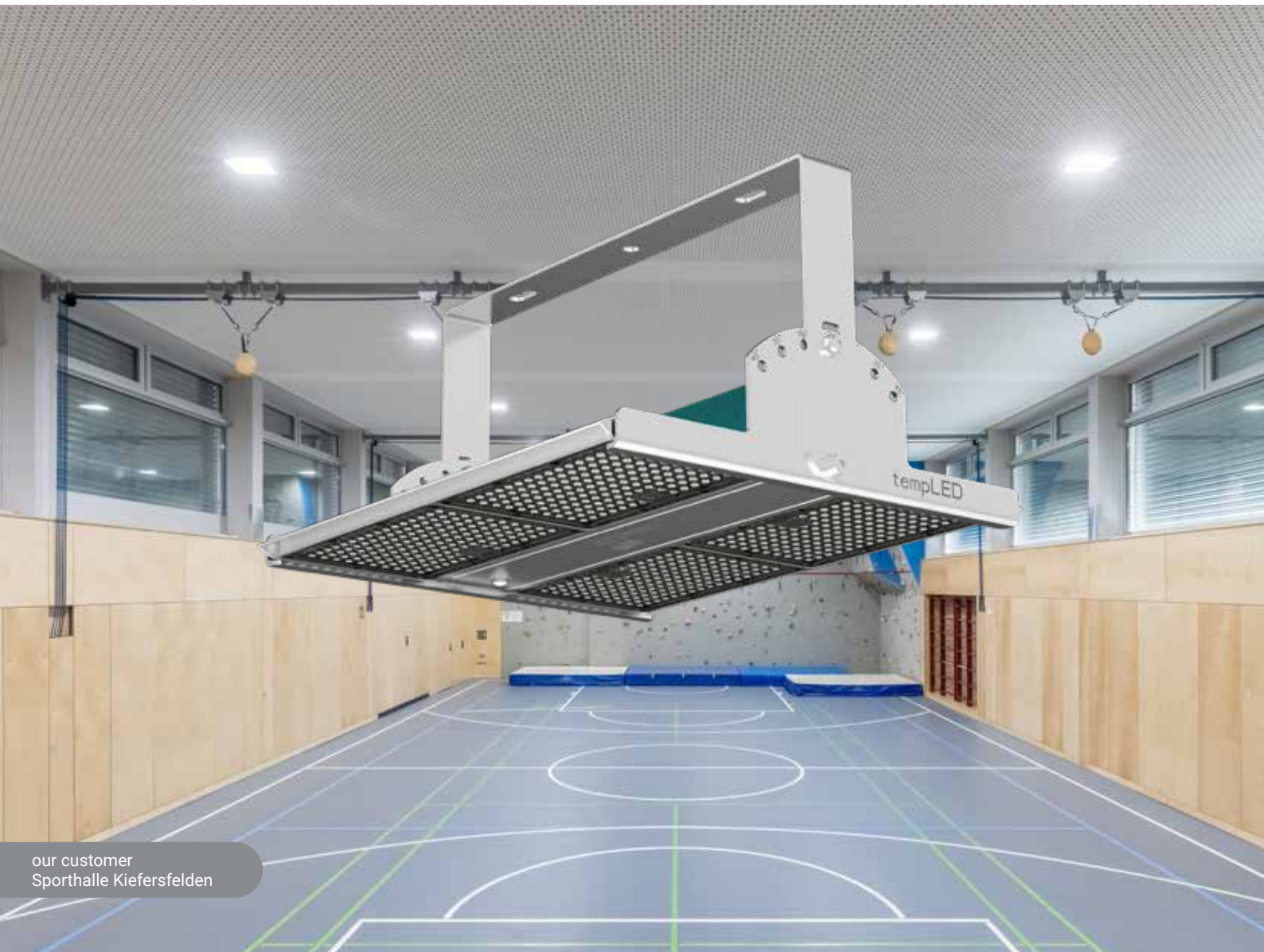
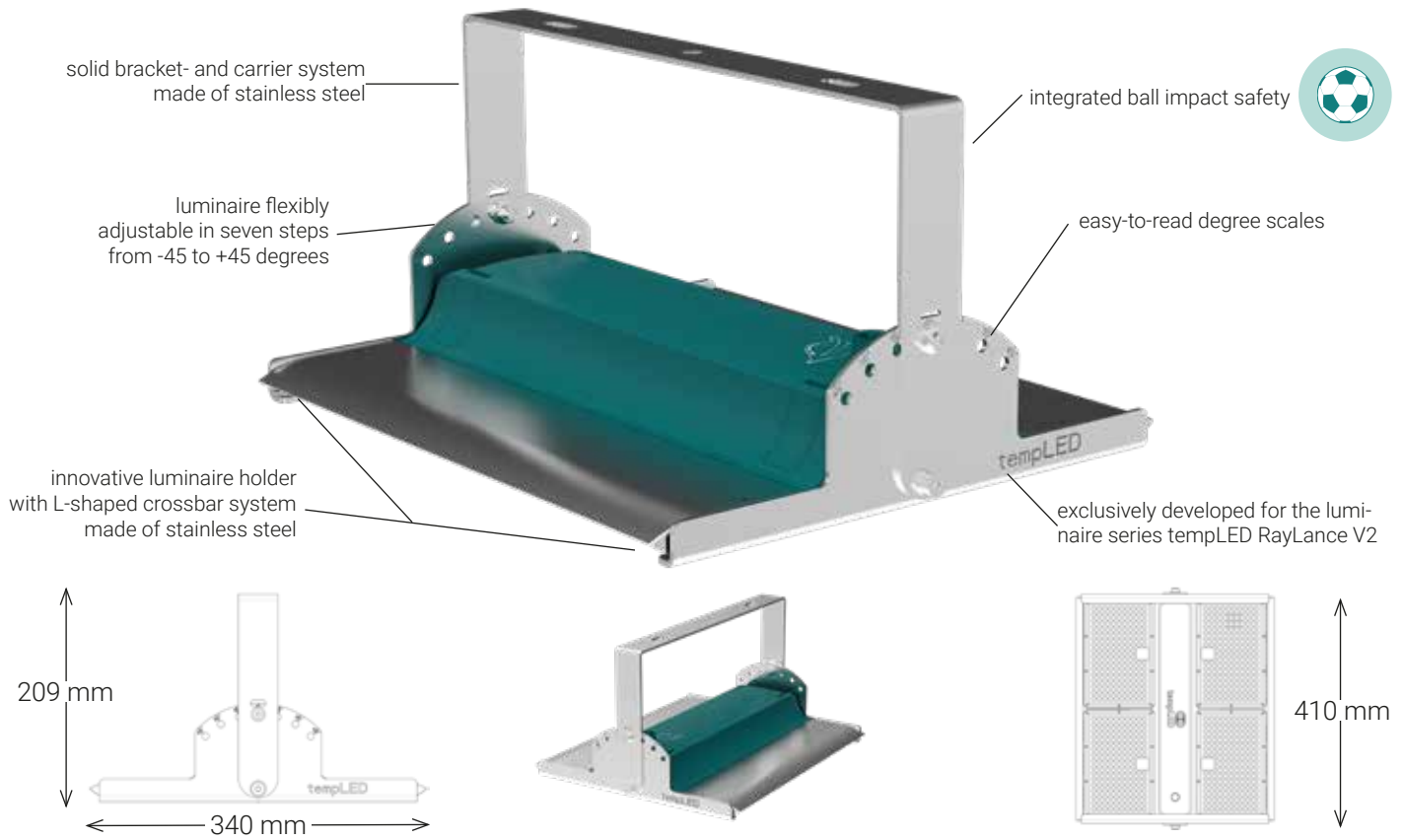


Triple holder system tempLED RayLance V2 adjustable version






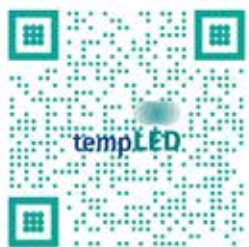
tempLED

Mounting bracket system tempLED RayLance V2 with integrated ball impact safety



our customer
Sporthalle Kiefersfelden

tempLED	Accessory catalogue RayLance V2	art.-no.	GTIN / EAN
	4-point rope suspension for pendant mounting complete set consisting of ready-made steel cables and mounting material, material: steel, finish: natural maximum suspension height: 1.00 m maximum suspension height: 3.00 m	933372 933371	4260745232760 4260669199750
	double holder system, fixed mounting bracket specially adapted to the luminaire series with a scale for fixed installation of two luminaires on one mounting point, adjustment range double bracket: -45 to +45 degrees in seven steps, single luminaire not adjustable, material: stainless steel, finish: natural, incl. power distribution system 5-pole 1 onto 2	932256	4260745233545
	double holder system, adjustable mounting bracket specially adapted to the luminaire series with scales for flexible installation of two luminaires on one mounting point, adjustment range double bracket: -30 to +30 degrees in five steps, adjustment range single luminaire: -30 to +30 degrees in five steps, material: stainless steel, finish: natural, incl. power distribution system 5-pole 1 onto 2	933229	4260745234429
	triple holder system, fixed mounting bracket specially adapted to the luminaire series with a scale for fixed installation of three luminaires on one mounting point, adjustment range double bracket: -45 to +45 degrees in seven steps, single luminaire not adjustable, material: stainless steel, finish: natural, incl. power distribution system 5-pole 1 onto 3	932257	4260745233552
	double holder system, adjustable mounting bracket specially adapted to the luminaire series with scales for flexible installation of three luminaires on one mounting point, adjustment range double bracket: -30 to +30 degrees in five steps, adjustment range single luminaire: -30 to +30 degrees in five steps, material: stainless steel, finish: natural, incl. power distribution system 5-pole 1 onto 3	933231	4260745234436
	mounting bracket system with ball impact safety adjustable and lockable mounting bracket specially adapted to the luminaire series with a scale and integrated ball impact safety, adjustment range: -45 to +45 degrees in seven steps, material: stainless steel, finish: natural	932258	4260745233569
	safety plug 3-pin safety plug with ingress protection IP 44, installed on the supply cable of the luminaire	945400	4260491842251
	supply cable extension ready-to-use 5-pin supply cable extension up to 10 meters	933499	4260491849687
	Wieland connector RST 20i5 5-pin socket part; color coding: turquoise blue, 250 V, 20 A, with protective conductor, for cable diameter 6 - 10 mm	945430	4260491842329
	Wieland connector RST 20i5 5-pin connector part; color coding: turquoise blue, 250 V, 20 A, with protective conductor, installed on the supply cable of the luminaire	945431	4260491842336
	Casambi control unit for integrating and controlling the luminaire via the Casambi network; mounted on the luminaire ready for use	932254	4260745233521
	emergency light module with automatic detection of failure and return of supply voltage, display of functional status, battery type: LiFePO4, running time approx. 3 hours with an output power of approx. 3,5 watts, recharging time: approx. 24 hours, can only be used at ambient temperatures from +5 to +50 degrees Celsius, mounted on the luminaire ready for use	384900	4260745237291
	upgrade package to DIN 10500 (HACCP / IFS) upgrade of <u>one</u> tempLED RayLance V2 to comply with DIN 10500 (HACCP / IFS)	384932	4260745236829



Direct link to the tempLED
download portall



LED is sustainable.
LED is the future.

tempLED luminaires fulfil a recycling rate of > 90%.
That is our product promise to you.
When will you start?