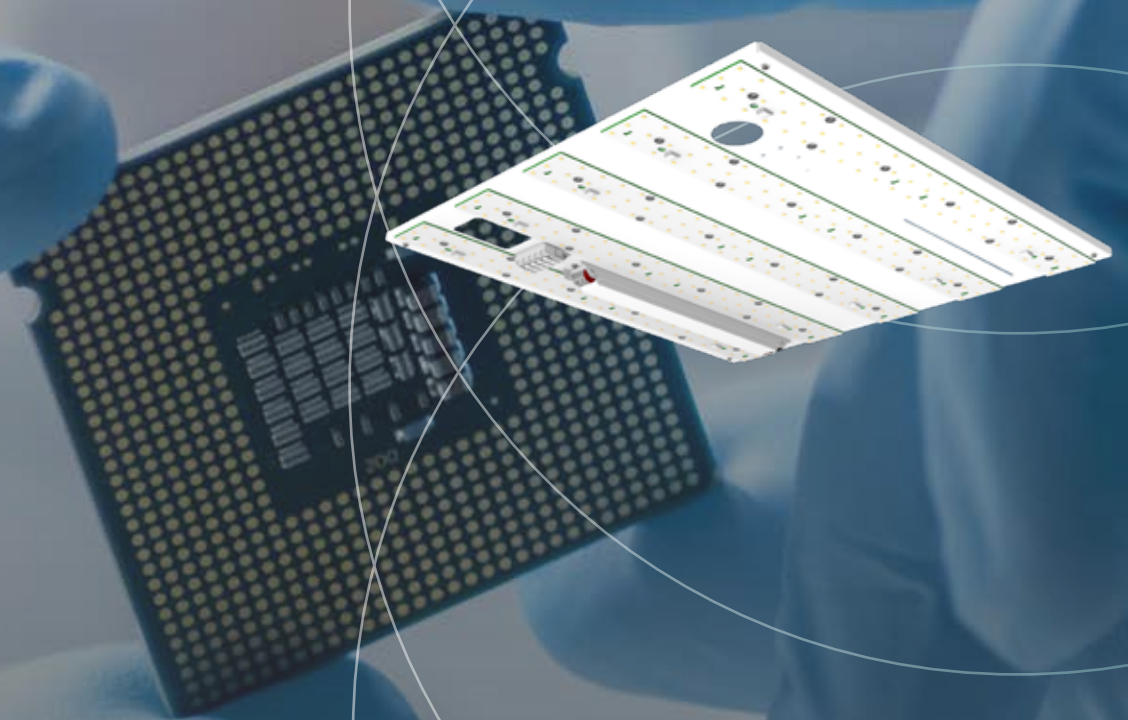


www.tempLED.de



tempLED



RETROFIT - CLEAN ROOM LIGHT

tempLED RayClean Kit

25 | 40 | 70 | 100

CLEAN ROOM AND CONTROLLED AREA LIGHTING 

tempLED



modular overall structure with exchangeable and replaceable main components



abrasion-resistant, powder-coated steel system carrier

strong neodymium magnets for a quick and effortless one-man assembly



luminaire connector

energy-efficient constant current power supply with optional DALI-2 dimming



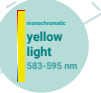
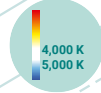
initial system efficiency up to 170 lm / w



optional control and safety systems:



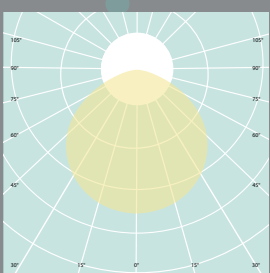
durable and bright LED light field



best for quick and easy retrofitting and conversion of existing lighting systems without recertification

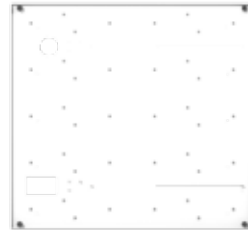


Light distribution curve tempLED RayClean Kit 25 | 40 | 70 | 100

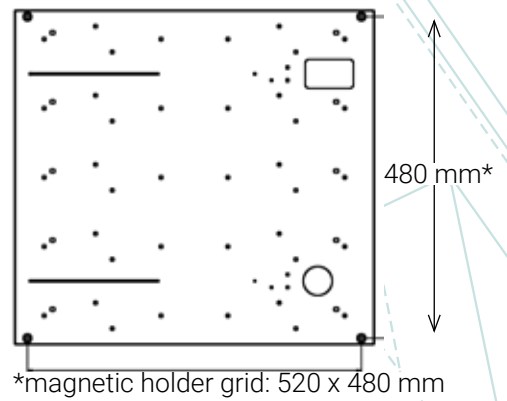
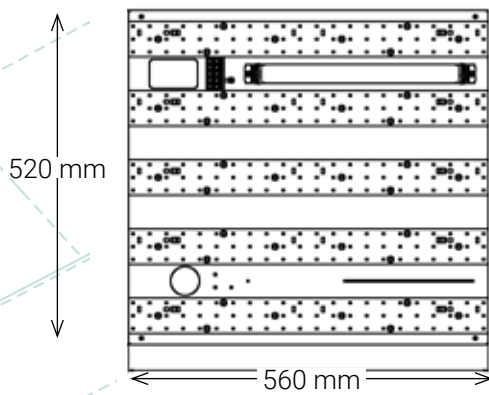


120 degrees symmetrical

tempLED RayClean Kit
25 | 40 | 70 | 100

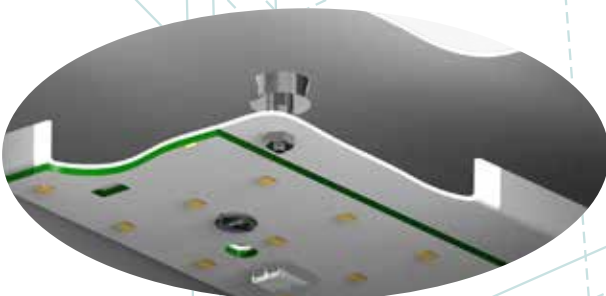


Dimensions tempLED RayClean Kit
25 | 40 | 70 | 100



Mounting options tempLED RayClean Kit
25 | 40 | 70 | 100

magnetic quick assembly system



General technical data

according to IEC, identical for all types of luminaires



Lighting properties:

initial luminous flux:	2,500 to 13,000 lumens
luminous flux tolerance:	± 10 percent
initial system efficiency:	up to 130 lumens / watt
initial, most similar color temperature:	4,000 kelvins 5,000 kelvins ¹
optional available special light colors:	monochromatic yellow light
initial color rendering index (CRI):	Ra > 90 (valid for 4,000 and 5,000 kelvins only)
initial color consistency:	< 3 SDCM (valid for 4,000 and 5,000 kelvins only)
available symmetrical beam angles:	120 degrees
photobiological safety:	IEC/TR 62778: 1
compact flicker degree (CFD):	on request

Electrotechnical properties:

power supply AC:	198 to 240 volts
supply frequency:	50 / 60 hertz
power supply DC:	176 to 250 volts
system performance:	25 to 100 watts
system performance tolerance:	± 10 percent
power factor:	> 0.95
overvoltage protection:	yes
overheating protection:	yes
temperature monitoring:	yes
total harmonic distortion (THD):	< 10 percent
temperature classification (ATEX):	T6
Tc - temperature:	+75 degrees Celsius

Energy characteristics:

Valid for all tempLED RayClean Kit with 4,000 & 5,000 kelvins:	This product contains a light source of energy efficiency class D.
Valid for all tempLED RayClean Kit with monochromatic yellow light:	This product contains a light source of energy efficiency class F.

Mounting options:

standard mounting options:	magnetic quick assembly system
----------------------------	--------------------------------

¹ additional color temperatures on request.

Control and safety properties:

dimming:	DALI-2 optional
minimum dimming level:	10 percent
constant lumen output (CLO):	on request
control via the Casambi network:	optional (types with DALI dimming only)
emergency light module:	optional ¹
human centric lighting:	on request
daylight control system:	optional via the Casambi network (types with DALI dimming only)

Housing properties:

ambient temperature:	-40 to +50 degrees Celsius
ingress protection:	IP 00
impact resistance level:	IK00
electrical protection class:	I
limited surface temperatur (D):	yes
system carrier and heat sink material(s):	steel
system carrier color:	pure white according to RAL 9010 ²
system carrier finishing:	powder coating ²
supply cable connection:	luminaire connector
number of poles for types without dimming:	3 grid
number of poles for types with DALI dimming:	3 grid / 2 DALI

Additional information:

certificates:	ENEC in preparation
conformities:	CE and RoHS
lifespan (L70B10C1):	approx. 100,000 hours
lifespan (L90B10C1):	approx. 50,000 hours
guarantee:	5 years ³
spare part guarantee:	10 years
delievery includes:	ready-to-use system carrier

¹ can only be used at ambient temperatures from +5 to +50 degrees Celsius.

² optional luminaire housing colors and finishes: Paintings according to RAL colour chart, powder coatings according to RAL colour chart or synthetic resin coating.

³ according to the warranty conditions of tempLED GmbH, excluding accessories.

Logistic information:

luminaire:	RayClean Kit 25 40 70 100
number of luminaires per package:	1
number of luminaires per pallet:	20
net weight of the luminaire:	3,100 g
gross weight per package:	4,100 g
package dimensions L x W x H:	640 x 640 x 120 mm

luminaires without dimming

tempLED 25

	RayClean Kit 25 - 120	RayClean Kit 25 - 120	RayClean Kit 25 - 120
article number:	720204	720205	72020Y
GTIN / EAN:	4260669195721	4260669195738	4260669192843
initial luminous flux:	3,250 lm	3,250 lm	2,500 lm
initial system efficiency:	130 lm/w	130 lm/w	100 lm/w
initial, most similar color temperature:	4,000 K	5,000 K	monochromatic yellow light wavelength: 583 to 595 nanometer
light distribution:	symmetrical	symmetrical	symmetrical
beam angle:	120 degrees	120 degrees	120 degrees
dimming / control:	none	none	none
system performance:	25 W	25 W	25 W
power consumption:	0.30 A	0.30 A	0.30 A
maximum inrush current:	21 A	21 A	21 A
dimensions (L x W x H):	560 x 520 x 20 mm	560 x 520 x 20 mm	560 x 520 x 20 mm

tempLED 40

	RayClean Kit 40 - 120	RayClean Kit 40 - 120	RayClean Kit 40 - 120
article number:	720404	720405	72040Y
GTIN / EAN:	4260669195745	4260669195752	4260669192867
initial luminous flux:	5,200 lm	5,200 lm	4,000 lm
initial system efficiency:	130 lm/w	130 lm/w	100 lm/w
initial, most similar color temperature:	4,000 K	5,000 K	monochromatic yellow light wavelength: 583 to 595 nanometer
light distribution:	symmetrical	symmetrical	symmetrical
beam angle:	120 degrees	120 degrees	120 degrees
dimming / control:	none	none	none
system performance:	40 W	40 W	40 W
power consumption:	0.40 A	0.40 A	0.40 A
maximum inrush current:	21 A	21 A	21 A
dimensions (L x W x H):	560 x 520 x 20 mm	560 x 520 x 20 mm	560 x 520 x 20 mm

tempLED 70

	RayClean Kit 70 - 120	RayClean Kit 70 - 120	RayClean Kit 70 - 120
article number:	720704	720705	72070Y
GTIN / EAN:	4260669195769	4260669195776	4260669192881
initial luminous flux:	9,100 lm	9,100 lm	7,000 lm
initial system efficiency:	130 lm/w	130 lm/w	100 lm/w
initial, most similar color temperature:	4,000 K	5,000 K	monochromatic yellow light wavelength: 583 to 595 nanometer
light distribution:	symmetrical	symmetrical	symmetrical
beam angle:	120 degrees	120 degrees	120 degrees
dimming / control:	none	none	none
system performance:	70 W	70 W	70 W
power consumption:	0.50 A	0.50 A	0.50 A
maximum inrush current:	28 A	28 A	28 A
dimensions (L x W x H):	560 x 520 x 20 mm	560 x 520 x 20 mm	560 x 520 x 20 mm

luminaires without dimming

tempLED 100	RayClean Kit 100 - 120	RayClean Kit 100 - 120	RayClean Kit 100 - 120
article number:	720004	720005	72000Y
GTIN / EAN:	4260669195783	4260669195790	4260669192904
initial luminous flux:	13,000 lm	13,000 lm	10,000 lm
initial system efficiency:	130 lm/w	130 lm/w	100 lm/w
initial, most similar color temperature:	4,000 K	5,000 K	monochromatic yellow light wavelength: 583 to 595 nanometer
light distribution:	symmetrical	symmetrical	symmetrical
beam angle:	120 degrees	120 degrees	120 degrees
dimming / control:	none	none	none
system performance:	100 W	100 W	100 W
power consumption:	0.70 A	0.70 A	0.70 A
maximum inrush current:	25 A	25 A	25 A
dimensions (L x W x H):	560 x 520 x 20 mm	560 x 520 x 20 mm	560 x 520 x 20 mm

luminaires with DALI dimming

tempLED 25	RayClean Kit 25 - 120 DALI	RayClean Kit 25 - 120 DALI	RayClean Kit 25 - 120 DALI
article number:	721204	721205	72120Y
GTIN / EAN:	4260669194991	4260669195004	4260669192850
initial luminous flux:	3,250 lm	3,250 lm	2,500 lm
initial system efficiency:	130 lm/w	130 lm/w	100 lm/w
initial, most similar color temperature:	4,000 K	5,000 K	monochromatic yellow light wavelength: 583 to 595 nanometer
light distribution:	symmetrical	symmetrical	symmetrical
beam angle:	120 degrees	120 degrees	120 degrees
dimming / control:	DALI-2	DALI-2	DALI-2
system performance:	25 W	25 W	25 W
power consumption:	0.30 A	0.30 A	0.30 A
maximum inrush current:	21 A	21 A	21 A
dimensions (L x W x H):	560 x 520 x 20 mm	560 x 520 x 20 mm	560 x 520 x 20 mm

luminaires with DALI dimming

tempLED 40



	RayClean Kit 40 - 120 DALI	RayClean Kit 40 - 120 DALI	RayClean Kit 40 - 120 DALI
article number:	721404	721405	72140Y
GTIN / EAN:	4260669195011	4260669195028	4260669192874
initial luminous flux:	5,200 lm	5,200 lm	4,000 lm
initial system efficiency:	130 lm/w	130 lm/w	100 lm/w
initial, most similar color temperature:	4,000 K	5,000 K	monochromatic yellow light wavelength: 583 to 595 nanometer
light distribution:	symmetrical	symmetrical	symmetrical
beam angle:	120 degrees	120 degrees	120 degrees
dimming / control:	DALI-2	DALI-2	DALI-2
system performance:	40 W	40 W	40 W
power consumption:	0.40 A	0.40 A	0.40 A
maximum inrush current:	21 A	21 A	21 A
dimensions (L x W x H):	560 x 520 x 20 mm	560 x 520 x 20 mm	560 x 520 x 20 mm

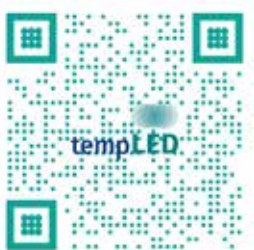
tempLED 70

	RayClean Kit 70 - 120 DALI	RayClean Kit 70 - 120 DALI	RayClean Kit 70 - 120 DALI
article number:	721704	721705	72170Y
GTIN / EAN:	4260669195035	4260669195042	4260669192898
initial luminous flux:	9,100 lm	9,100 lm	7,000 lm
initial system efficiency:	130 lm/w	130 lm/w	100 lm/w
initial, most similar color temperature:	4,000 K	5,000 K	monochromatic yellow light wavelength: 583 to 595 nanometer
light distribution:	symmetrical	symmetrical	symmetrical
beam angle:	120 degrees	120 degrees	120 degrees
dimming / control:	DALI-2	DALI-2	DALI-2
system performance:	70 W	70 W	70 W
power consumption:	0.50 A	0.50 A	0.50 A
maximum inrush current:	28 A	28 A	28 A
dimensions (L x W x H):	560 x 520 x 20 mm	560 x 520 x 20 mm	560 x 520 x 20 mm

tempLED 100

	RayClean Kit 100 - 120 DALI	RayClean Kit 100 - 120 DALI	RayClean Kit 100 - 120 DALI
article number:	721004	721005	72100Y
GTIN / EAN:	4260669195059	4260669195066	4260669192911
initial luminous flux:	13,000 lm	13,000 lm	10,000 lm
initial system efficiency:	130 lm/w	130 lm/w	100 lm/w
initial, most similar color temperature:	4,000 K	5,000 K	monochromatic yellow light wavelength: 583 to 595 nanometer
light distribution:	symmetrical	symmetrical	symmetrical
beam angle:	120 degrees	120 degrees	120 degrees
dimming / control:	DALI-2	DALI-2	DALI-2
system performance:	100 W	100 W	100 W
power consumption:	0.70 A	0.70 A	0.70 A
maximum inrush current:	25 A	25 A	25 A
dimensions (L x W x H):	560 x 520 x 20 mm	560 x 520 x 20 mm	560 x 520 x 20 mm

tempLED	Accessory catalogue RayClean Kit	art.-no.	GTIN / EAN
	Casambi control unit suitable only for luminaires with DALI dimming for integrating and controlling the luminaire via the Casambi network, mounted on the luminaire ready for use	799001	4260745230070
	emergency light module with automatic detection of failure and return of supply voltage, display of functional status, battery type: LiFePO4, running time approx. 3 hours with an output power of approx. 3,5 watts, recharging time: approx. 24 hours, can only be used at ambient temperatures from +5 to +50 degrees Celsius, mounted on the luminaire ready for use	720900	4260745237321



Direct link to the tempLED
download portal



LED is sustainable.
LED is the future.

tempLED luminaires fulfil a recycling rate of > 90%.
That is our product promise to you.

When will you start?