

www.tempLED.de



OUTDOOR AND ROADWAY LIGHT

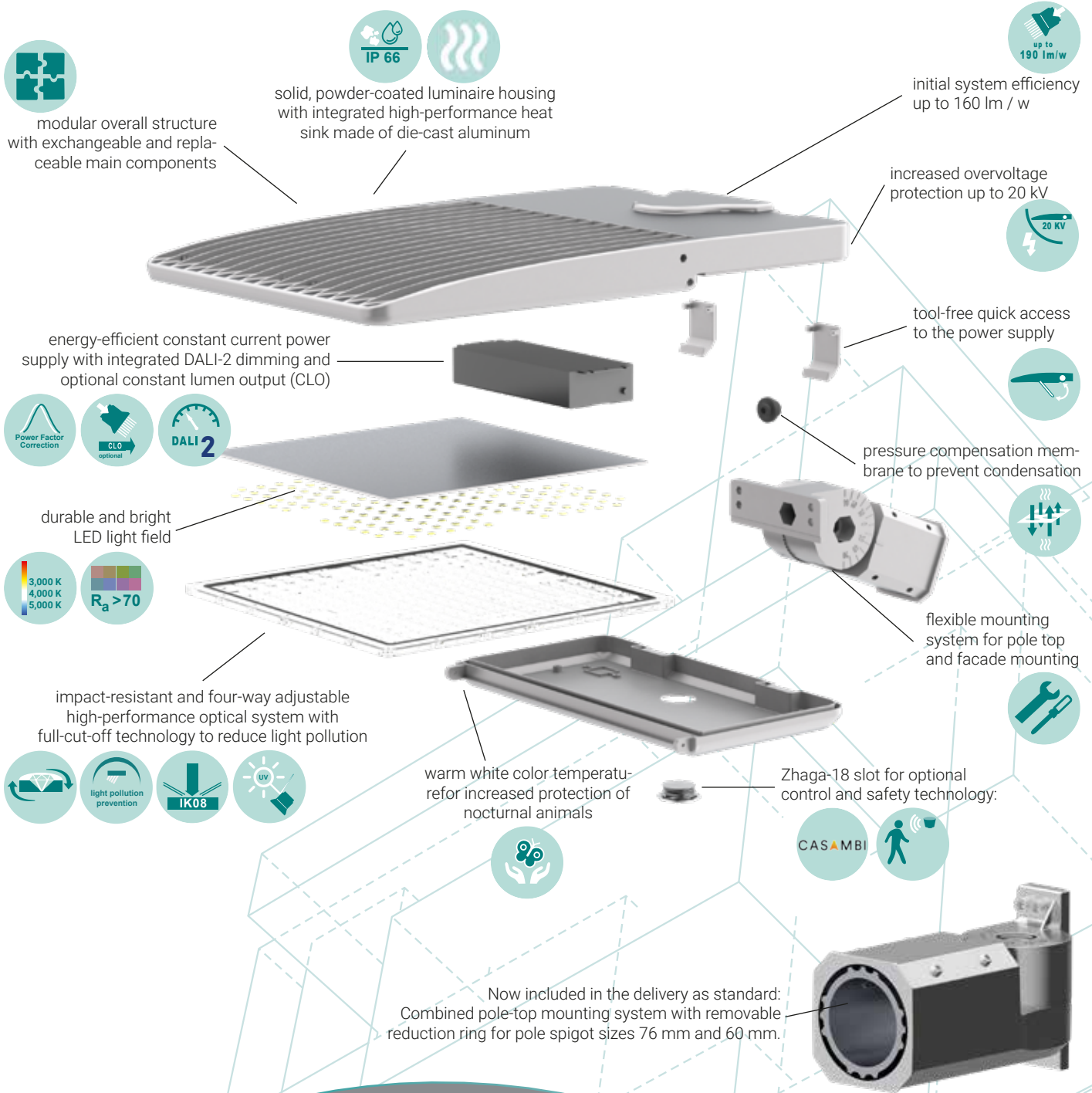
tempLED RayTrack Pro V2

40 | 75 | 115 | 145 | 180 | 200 | 230 | 300 | 420

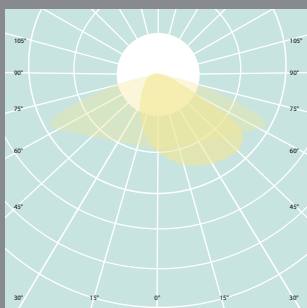
Our customer
Stihl Tirol GmbH

OUTDOOR LIGHTING 

tempLED



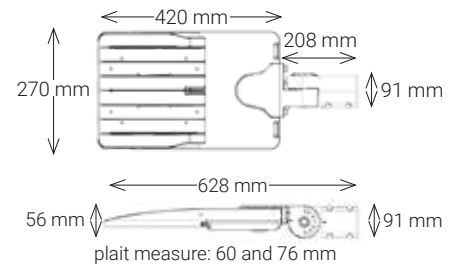
Light distribution curve tempLED RayTrack Pro V2 40 | 75 | 115 | 145 | 180 | 200 | 230 | 300 | 420



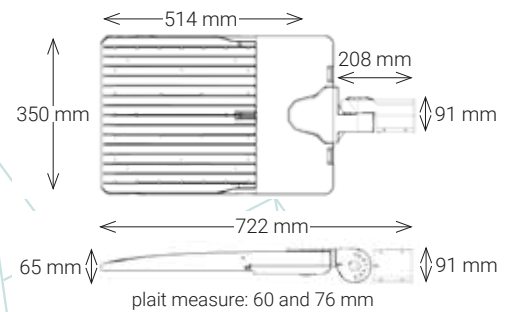
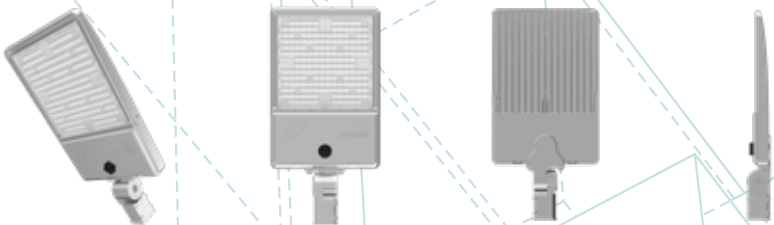
tempLED RayTrack Pro V2

Dimensions

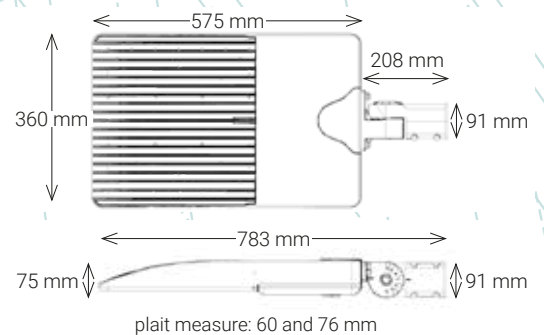
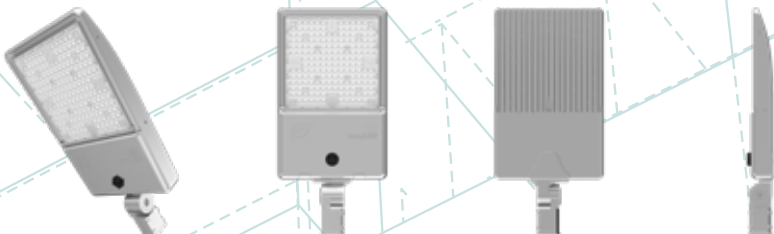
40 | 75 | 115 | 145



180 | 200 | 230



300 | 420



Mounting options tempLED RayTrack Pro V2

40 | 75 | 115 | 145 | 180 | 200 | 230 | 300 | 420

pole top mounting¹facade mounting²bracket mounting³¹ Adjustment range for pole top mounting with included pole top: -90 to +90 degrees.² Adjustment range for facade mounting with optional wall holder 932141: -90 to +90 degrees.³ Adjustment range for surface mounting with optional mounting bracket 932142 / 932145 / 932146: -90 to +90 degrees.

General technical data

according to IEC, identical for all types of luminaires



Lighting properties:

initial luminous flux:	6,800 to 73,500 lumens
luminous flux tolerance:	± 10 percent
initial system efficiency:	up to 190 lumens / watt
initial, most similar color temperature:	3.000 kelvins 4.000 kelvins 5.000 kelvins ¹
initial color rendering index (CRI):	Ra > 70
initial color consistency:	< 5 SDCM
available asymmetrical beam angles:	80 x 150 degrees
individually adjustable high-performance optical system:	yes, four ways
photobiological safety:	IEC/TR 62778: 1
compact flicker degree (CFD):	1 percent
stray light reduction:	yes, with full-cut-off technology
increased protection of nocturnal animals:	yes, with color temperature 3,000 kelvins

Electrotechnical properties:

power supply AC:	100 to 240 volts ²
supply frequency:	50 / 60 hertz
power supply DC:	127 to 250 volts ³
system performance:	40 to 420 watts
system performance tolerance:	± 10 percent
Zhaga-18 slot:	yes, on the bottom of the luminaire, e.g. for Casambi control unit
power factor:	> 0.95
overvoltage protection:	yes, up to 20 kilovolts
overheating protection:	yes
temperature monitoring:	yes
total harmonic distortion (THD):	< 20 percent
temperature classification (ATEX):	T5
Tc - temperature:	+89 degrees Celsius

Energetechnische Eigenschaften:

Valid for all tempLED RayTrack Pro V2 up to 169 lm/w:	This product contains a light source of energy efficiency class C.
Valid for all tempLED RayTrack Pro V2 from 170 lm/W:	This product contains a light source of energy efficiency class B.

Mounting options:

standard mounting options:	pole top with adjustment range -90 to +90 degrees
optional mounting options:	wall holder with adjustment range -90 to +90 degrees mounting bracket with adjustment range -90 to +90 degrees

¹ weitere Farbtemperaturen auf Anfrage erhältlich.

² Spannungsversorgung 249 bis 528 VAC - 50/60 Hz auf Anfrage erhältlich. ³ Spannungsversorgung 255 bis 500 VDC auf Anfrage erhältlich.

Control and safety properties:

dimming:	DALI-2
minimum dimming level:	10 percent
constant lumen output (CLO):	optional
control via the Casambi network:	optional
daylight control system:	optional via the Casambi network
occupancy control:	optional via motion sensor

Housing properties:

ambient temperature:	-40 to +50 degrees Celsius
ingress protection:	IP 66
impact resistance level:	IK08
electrical protection class:	I
limited surface temperatur (D):	yes
pressure compensation membrane:	yes
housing and heat sink material(s):	die-cast aluminum
material and finish of the standard pole top:	die-cast aluminum, powder-coated in white aluminium according to RAL 9006 ¹
material of optical system:	impact- and UV-resistant polycarbonate
luminaire housing color:	white aluminium according to RAL 9006 ¹
surface finish:	powder coating ¹
supply cable type:	H05RN-F 3G1 ²
supply cable length:	30 centimeters ²
supply cable inlet:	cable gland
supply cable connection type:	open cable end
number of poles:	3 grid ²

Additional information:

certificates:	ENEC in preparation
conformities:	CE and RoHS
lifespan (L70B10C1):	approx. 100,000 hours
lifespan (L90B10C1):	approx. 50,000 hours
guarantee:	5 years ³
spare part guarantee:	10 years
delievery includes:	luminaire, pole top (spigot size: 76 mm), reduction ring (spigot size: 60 mm)

¹ optional luminaire housing colors and finishes: Paintings according to RAL colour chart, powder coatings according to RAL colour chart or synthetic resin coating.

² alternatively: direct cabling in the luminaire housing - direct cabling in the luminaire housing is a precondition for external using the integrated DALI dimming.

³ according to the warranty conditions of tempLED GmbH, excluding accessories.

Logistic information:

luminaire:	RayTrack Pro V2 40 75 115 145	RayTrack Pro V2 180 200 230	RayTrack Pro V2 300 420
number of luminaires per package:	1	1	1
number of luminaires per pallet:	39	39	28
net weight of the luminaire:	5,000 g	7,000 g	10,500 g
gross weight per package:	6,600 g	8,700 g	13,000 g
package dimensions L x W x H:	680 x 360 x 155 mm	760 x 410 x 150 mm	810 x 430 x 150 mm

tempLED 40



RayTrack Pro V2 40

article number:	401153
GTIN / EAN:	4260745236935
initial luminous flux:	6,800 lm
initial system efficiency:	170 lm/W
initial, most similar color temperature:	3,000 K
light distribution:	asymmetrical
beam angle:	80 x 150 degrees
dimming / control:	DALI-2
system performance:	40 W
power consumption:	0.18 A
maximum inrush current:	75 A
dimensions (L x W x H):	628 x 270 x 56 mm



RayTrack Pro V2 40

article number:	401154
GTIN / EAN:	4260745236942
initial luminous flux:	7,600 lm
initial system efficiency:	190 lm/W
initial, most similar color temperature:	4,000 K
light distribution:	asymmetrical
beam angle:	80 x 150 degrees
dimming / control:	DALI-2
system performance:	40 W
power consumption:	0.18 A
maximum inrush current:	75 A
dimensions (L x W x H):	628 x 270 x 56 mm



RayTrack Pro V2 40

article number:	401155
GTIN / EAN:	4260745236959
initial luminous flux:	7,600 lm
initial system efficiency:	190 lm/W
initial, most similar color temperature:	5,000 K
light distribution:	asymmetrical
beam angle:	80 x 150 degrees
dimming / control:	DALI-2
system performance:	40 W
power consumption:	0.18 A
maximum inrush current:	75 A
dimensions (L x W x H):	628 x 270 x 56 mm

tempLED 75



RayTrack Pro V2 75

article number:	401253
GTIN / EAN:	4260745236966
initial luminous flux:	12,375 lm
initial system efficiency:	165 lm/W
initial, most similar color temperature:	3,000 K
light distribution:	asymmetrical
beam angle:	80 x 150 degrees
dimming / control:	DALI-2
system performance:	75 W
power consumption:	0.33 A
maximum inrush current:	75 A
dimensions (L x W x H):	628 x 270 x 56 mm



RayTrack Pro V2 75

article number:	401254
GTIN / EAN:	4260745236973
initial luminous flux:	13,875 lm
initial system efficiency:	185 lm/W
initial, most similar color temperature:	4,000 K
light distribution:	asymmetrical
beam angle:	80 x 150 degrees
dimming / control:	DALI-2
system performance:	75 W
power consumption:	0.33 A
maximum inrush current:	75 A
dimensions (L x W x H):	628 x 270 x 56 mm



RayTrack Pro V2 75

article number:	401255
GTIN / EAN:	4260745236980
initial luminous flux:	13,875 lm
initial system efficiency:	185 lm/W
initial, most similar color temperature:	5,000 K
light distribution:	asymmetrical
beam angle:	80 x 150 degrees
dimming / control:	DALI-2
system performance:	75 W
power consumption:	0.33 A
maximum inrush current:	75 A
dimensions (L x W x H):	628 x 270 x 56 mm

tempLED 115



RayTrack Pro V2 115

article number:	401353
GTIN / EAN:	4260745236997
initial luminous flux:	18,975 lm
initial system efficiency:	165 lm/W
initial, most similar color temperature:	3,000 K
light distribution:	asymmetrical
beam angle:	80 x 150 degrees
dimming / control:	DALI-2
system performance:	115 W
power consumption:	0.50 A
maximum inrush current:	120 A
dimensions (L x W x H):	628 x 270 x 56 mm



RayTrack Pro V2 115

article number:	401354
GTIN / EAN:	4260745237000
initial luminous flux:	21,275 lm
initial system efficiency:	185 lm/W
initial, most similar color temperature:	4,000 K
light distribution:	asymmetrical
beam angle:	80 x 150 degrees
dimming / control:	DALI-2
system performance:	115 W
power consumption:	0.50 A
maximum inrush current:	120 A
dimensions (L x W x H):	628 x 270 x 56 mm



RayTrack Pro V2 115

article number:	401355
GTIN / EAN:	4260745237017
initial luminous flux:	21,275 lm
initial system efficiency:	185 lm/W
initial, most similar color temperature:	5,000 K
light distribution:	asymmetrical
beam angle:	80 x 150 degrees
dimming / control:	DALI-2
system performance:	115 W
power consumption:	0.50 A
maximum inrush current:	120 A
dimensions (L x W x H):	628 x 270 x 56 mm

tempLED **145**

	RayTrack Pro V2 145	RayTrack Pro V2 145	RayTrack Pro V2 145
article number:	401453	401454	401455
GTIN / EAN:	4260745237024	4260745237031	4260745237048
initial luminous flux:	23,200 lm	26,100 lm	26,100 lm
initial system efficiency:	160 lm/W	180 lm/W	180 lm/W
initial, most similar color temperature:	3,000 K	4,000 K	5,000 K
light distribution:	asymmetrical	asymmetrical	asymmetrical
beam angle:	80 x 150 degrees	80 x 150 degrees	80 x 150 degrees
dimming / control:	DALI-2	DALI-2	DALI-2
system performance:	145 W	145 W	145 W
power consumption:	0.64 A	0.64 A	0.64 A
maximum inrush current:	120 A	120 A	120 A
dimensions (L x W x H):	628 x 270 x 56 mm	628 x 270 x 56 mm	628 x 270 x 56 mm

tempLED **180**

	RayTrack Pro V2 180	RayTrack Pro V2 180	RayTrack Pro V2 180
article number:	401553	401554	401555
GTIN / EAN:	4260745237055	4260745237062	4260745237079
initial luminous flux:	29,700 lm	33,300 lm	33,300 lm
initial system efficiency:	165 lm/W	185 lm/W	185 lm/W
initial, most similar color temperature:	3,000 K	4,000 K	5,000 K
light distribution:	asymmetrical	asymmetrical	asymmetrical
beam angle:	80 x 150 degrees	80 x 150 degrees	80 x 150 degrees
dimming / control:	DALI-2	DALI-2	DALI-2
system performance:	180 W	180 W	180 W
power consumption:	0.79 A	0.79 A	0.79 A
maximum inrush current:	89 A	89 A	89 A
dimensions (L x W x H):	722 x 350 x 56 mm	722 x 350 x 56 mm	722 x 350 x 56 mm

tempLED **200**

	RayTrack Pro V2 200	RayTrack Pro V2 200	RayTrack Pro V2 200
article number:	401653	401654	401655
GTIN / EAN:	4260745237086	4260745237093	4260745237109
initial luminous flux:	33,000 lm	37,000 lm	37,000 lm
initial system efficiency:	165 lm/W	185 lm/W	185 lm/W
initial, most similar color temperature:	3,000 K	4,000 K	5,000 K
light distribution:	asymmetrical	asymmetrical	asymmetrical
beam angle:	80 x 150 degrees	80 x 150 degrees	80 x 150 degrees
dimming / control:	DALI-2	DALI-2	DALI-2
system performance:	200 W	200 W	200 W
power consumption:	0.87 A	0.87 A	0.87 A
maximum inrush current:	58 A	58 A	58 A
dimensions (L x W x H):	722 x 350 x 56 mm	722 x 350 x 56 mm	722 x 350 x 56 mm

STOCK
ITEMSTOCK
ITEMSTOCK
ITEM

tempLED 230

	RayTrack Pro V2 230	RayTrack Pro V2 230	RayTrack Pro V2 230
article number:	401753	401754	401755
GTIN / EAN:	4260745237116	4260745237123	4260745237130
initial luminous flux:	36,800 lm	41,400 lm	41,400 lm
initial system efficiency:	160 lm/W	180 lm/W	180 lm/W
initial, most similar color temperature:	3,000 K	4,000 K	5,000 K
light distribution:	asymmetrical	asymmetrical	asymmetrical
beam angle:	80 x 150 degrees	80 x 150 degrees	80 x 150 degrees
dimming / control:	DALI-2	DALI-2	DALI-2
system performance:	230 W	230 W	230 W
power consumption:	1.00 A	1.00 A	1.00 A
maximum inrush current:	58 A	58 A	58 A
dimensions (L x W x H):	722 x 350 x 56 mm	722 x 350 x 56 mm	722 x 350 x 56 mm

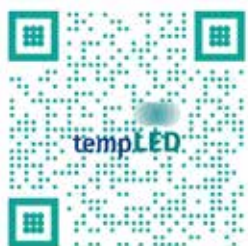
tempLED 300

	RayTrack Pro V2 300	RayTrack Pro V2 300	RayTrack Pro V2 300
article number:	401853	401854	401855
GTIN / EAN:	4260745237147	4260745237154	4260745237161
initial luminous flux:	51,000 lm	57,000 lm	57,000 lm
initial system efficiency:	170 lm/W	190 lm/W	190 lm/W
initial, most similar color temperature:	3,000 K	4,000 K	5,000 K
light distribution:	asymmetrical	asymmetrical	asymmetrical
beam angle:	80 x 150 degrees	80 x 150 degrees	80 x 150 degrees
dimming / control:	DALI-2	DALI-2	DALI-2
system performance:	300 W	300 W	300 W
power consumption:	1.31 A	1.31 A	1.31 A
maximum inrush current:	13 A	13 A	13 A
dimensions (L x W x H):	783 x 360 x 75 mm	783 x 360 x 75 mm	783 x 360 x 75 mm

tempLED 420

	RayTrack Pro V2 420	RayTrack Pro V2 420	RayTrack Pro V2 420
article number:	401953	401954	401955
GTIN / EAN:	4260745237178	4260745237185	4260745237192
initial luminous flux:	65,100 lm	73,500 lm	73,500 lm
initial system efficiency:	155 lm/W	175 lm/W	175 lm/W
initial, most similar color temperature:	3,000 K	4,000 K	5,000 K
light distribution:	asymmetrical	asymmetrical	asymmetrical
beam angle:	80 x 150 degrees	80 x 150 degrees	80 x 150 degrees
dimming / control:	DALI-2	DALI-2	DALI-2
system performance:	420 W	420 W	420 W
power consumption:	1.83 A	1.83 A	1.83 A
maximum inrush current:	2x 58 A	2x 58 A	2x 58 A
dimensions (L x W x H):	783 x 360 x 75 mm	783 x 360 x 75 mm	783 x 360 x 75 mm

tempLED	Accessory catalogue RayTrack Pro V2	art.-no.	GTIN / EAN
	pole top system for pole-top mounting of the tempLED RayTrack Pro V2 on poles with a spigot size of 76 mm and also on poles with a spigot size of 60 mm due to the removable reduction ring, adjustment range: -90 to +90 degrees, material: die-cast aluminium, finish: powder coating in white aluminium according to RAL 9006, included in delivery of all tempLED RayTrack Pro V2	401900	4260745237222
	wall holder for mounting the tempLED RayTrack Pro on walls and façades, two-part with integrated cabling compartment, adjustment range: -90 to +90 degrees, material: die-cast aluminium, finish: powder coating in white aluminium according to RAL 9006	932141	4260491842411
	angle bracket for wall and corner mounting for mounting the tempLED RayTrack Pro on facades and building corners, made of cylindrical tube \varnothing 60 mm; inclination 15 degrees; projection 500 mm, material: stainless steel, finish: natural	932150	4260491842008
	mounting bracket »K« suitable only for tempLED RayTrack Pro 40 / 75 / 115 / 145 for flexible mounting of the tempLED RayTrack Pro on facades, ceilings and walls, adjustment range: -90 to +90 degrees, material: steel, finish: powder coating in white aluminium according to RAL 9006	932142	4260491842428
	mounting bracket »G« suitable only for tempLED RayTrack Pro 180 / 200 / 230 for flexible mounting of the tempLED RayTrack Pro on facades, ceilings and walls, adjustment range: -90 to +90 degrees, material: steel, finish: powder coating in white aluminium according to RAL 9006	932145	4260491842459
	mounting bracket »GG« suitable only for tempLED RayTrack Pro 300 / 420 for flexible mounting of the tempLED RayTrack Pro on facades, ceilings and walls, adjustment range: -90 to +90 degrees, material: steel, finish: powder coating in white aluminium according to RAL 9006	932146	4260491842466
	angle bracket one-sided for mast plait \varnothing 76 mm made of cylindrical tube \varnothing 60 mm; inclination 15 degrees; projection 500 mm, material: steel, finish: galvanised	932351	4260491842121
	angle bracket two-sided 180 degrees for mast plait \varnothing 76 mm made of cylindrical tube \varnothing 60 mm; inclination 15 degrees; projection 500 mm, material: steel, finish: galvanised	932352	4260491842138
	angle bracket three-sided 120 degrees for mast plait \varnothing 76 mm made of cylindrical tube \varnothing 60 mm; inclination 15 degrees; projection 500 mm, material: steel, finish: galvanised	932353	4260491842145
	angle bracket four-sided 90 degrees for mast plait \varnothing 76 mm made of cylindrical tube \varnothing 60 mm; inclination 15 degrees; projection 500 mm, material: steel, finish: galvanised	934038	4260491844699
	supply cable extension ready-to-use 3-pin supply cable extension up to 10 meters	333903	4260491843760
	upgrade to external DALI control upgrade to 5-pole supply cable with a length of 30 cm for connecting external DALI controls Important note: the internal Zhaga-18 slot cannot be used.	401906	4260745238854
	Casambi control unit for the Zhaga-18 slot of the tempLED RayTrack Pro for integrating and controlling the luminaire via the Casambi network,	934221	4260491841568
	motion sensor for the Zhaga-18 slot of the tempLED RayTrack Pro with passive infrared technology, mounting height: 5 to 8 meters, detection area: 30 x 6 meters, orientation light function (20 percent), on-time after movement: 2 minutes, switch-on threshold (evening): 35 lux, switch-off threshold (morning): 18 lux, ingress protection: IP 66 / IK07, operating temperature range: -40 to +65 degrees Celsius, detection temperature range: -40 to +32 degrees Celsius, luminaire protection function: at ambient temperatures above 32 degrees Celsius, the luminaire output is reduced to 50 percent, all of the above settings cannot be changed	401901	4260745237239



Direct link to the tempLED
download portal



LED is sustainable.
LED is the future.

tempLED luminaires fulfil a recycling rate of > 90%.
That is our product promise to you.

When will you start?