



OFFICE- AND WORKPLACE LIGHT

tempLED RaySquare V3

35

tempLED



modular overall structure with exchangeable and replaceable main components



solid luminaire housing



initial system efficiency up to 140 lm / w



variable mounting possibilities

energy-efficient constant current power supply with optional DALI-2 dimming or optional constant lumen output (CLO)



UGR up to <19

UGR up to <19

impact-resistant cover plate made of PS



durable and bright LED light field

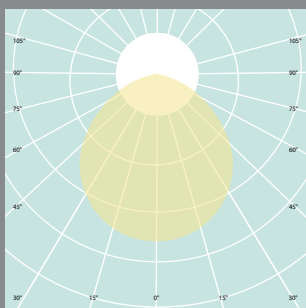


1 luminaire = 3 switchable power levels¹



¹ only for luminaires without DALI-2 dimming.

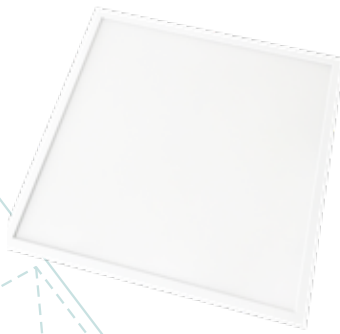
Light distribution curve tempLED RaySquare V3 35



90 degrees symmetrical

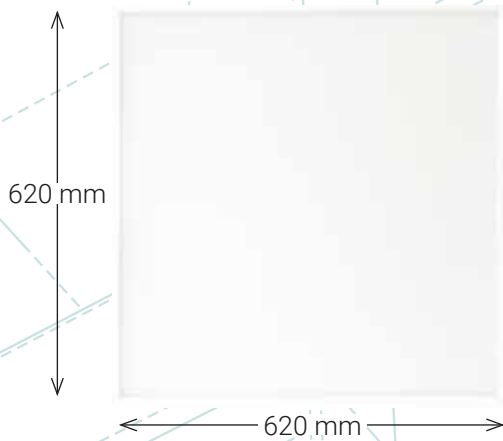
tempLED RaySquare V3

35

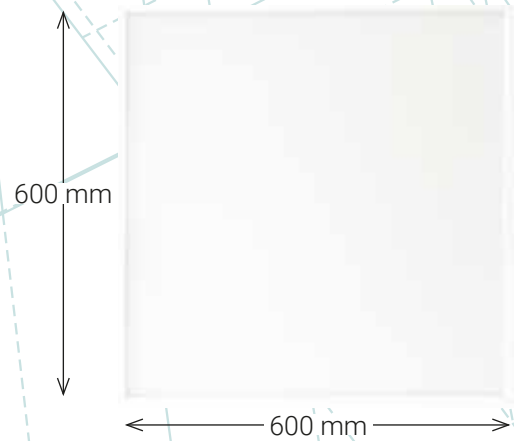


Dimensions tempLED RaySquare V3

35



35 S

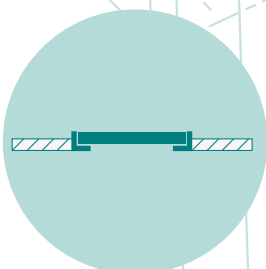


overall height of the luminaire: 32 mm.

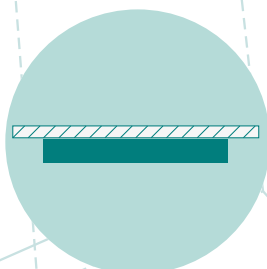
Mounting options tempLED RaySquare V3

35

recessed ceiling mouting



ceiling mounting¹



¹ requires separate mounting accessories

General technical data

according to IEC, identical for all types of luminaires



Lighting properties:

initial luminous flux:	up to 4,900 lumens
luminous flux tolerance:	± 10 percent
initial system efficiency:	140 lumens / watt
initial, most similar color temperature:	4,000 kelvins ¹
initial color rendering index (CRI):	Ra > 80
initial color consistency:	< 3 SDCM
unified glare rating (UGR):	< 19
available symmetrical beam angles:	90 degrees
photobiological safety:	IEC/TR 62778: 0
compact flicker degree (CFD):	1 percent
stroboscopic visibility measurement (SVM):	≤ 0.06
short time flicker (Pst LM):	≤ 0.07

Electrotechnical properties:

power supply AC:	198 to 240 volts
supply frequency:	50 / 60 hertz
power supply DC:	180 to 250 volts
system performance:	up to 35 watts
system performance tolerance:	± 10 percent
power factor:	> 0.90
overvoltage protection:	yes
overheating protection:	yes
temperature monitoring:	yes
total harmonic distortion (THD):	< 20 percent
temperature classification (ATEX):	T6
Tc - temperature:	+45 degrees Celsius

Energy characteristics:

Valid for all tempLED RaySquare V3:	This product contains a light source of energy efficiency class D.
-------------------------------------	--

Mounting options:

standard mounting options:	recessed ceiling mouting
optional mounting options:	ceiling mounting, cable suspension

¹ additional color temperatures on request.

Control and safety properties:

dimming:	DALI-2 optional
minimum dimming level:	10 percent
constant lumen output (CLO):	optional
emergency light module:	optional ¹

Housing properties:

ambient temperature:	-20 to +40 degrees Celsius
ingress protection:	IP 20
impact resistance level:	IK02
electrical protection class:	II
housing and heat sink material(s):	steel plate
cover plate material:	impact-resistant PS
cover plate finish:	frosted
luminaire housing color:	signal white according to RAL 9003 ²
surface finish:	powder coating ²
supply cable connection type:	luminaire connector within the power supply
connection cable length between luminaire and power supply:	30 centimeters
number of poles for types without dimming:	2 grid
number of poles for types with DALI dimming:	2 grid / 2 DALI

Additional information:

certificates:	ENEC in preparation
conformities:	CE and RoHS
lifespan (L90B10C1):	approx. 40,000 hours
lifespan (L70B10C1):	approx. 100,000 hours
guarantee:	5 years ³
spare part guarantee:	10 years
delivery includes:	luminaire and power supply

¹ can only be used at ambient temperatures from +5 to +45 degrees Celsius.

² optional luminaire housing colors and finishes: Paintings according to RAL colour chart, powder coatings according to RAL colour chart or synthetic resin coating.

³ according to the warranty conditions of tempLED GmbH, excluding accessories.

Logistic information:

luminaire:	RaySquare V3
number of luminaires per package:	1
number of luminaires per master carton:	6
number of luminaires per pallet:	192
weight of the luminaire:	1,800 g
weight per package:	2,100 g
package dimensions L x W x H:	675 x 643 x 40 mm
weight per master carton:	12,600 g
master carton dimensions L x W x H:	693 x 655 x 260 mm



tempLED 35

	RaySquare V3 35 - 90	RaySquare V2 35 - 90 DALI
article number:	861030	861031
GTIN / EAN:	4262493351571	4262493351588
initial luminous flux:	3,360 / 4,200 / 4,900 lm	4,900 lm
initial system efficiency:	140 lm/W	140 lm/W
unified glare rating (UGR):	< 19	< 19
initial, most similar color temperature:	4,000 K	4,000 K
light distribution:	symmetrical	symmetrical
beam angle:	90 degrees	90 degrees
dimming / control:	none	DALI-2
system performance:	switchable between 24, 30 and 35 W	35 W
power consumption:	up to 0.16 A	0.16 A
maximum inrush current:	26 A	26 A
dimensions (L x W x H) of the luminaire:	620 x 620 x 32 mm	620 x 620 x 32 mm
dimensions (L x W x H) of the power supply:	100 x 40 x 26 mm	145 x 45 x 23 mm

tempLED 35



	RaySquare V3 35 - 90 S	RaySquare V2 35 - 90 S DALI
article number:	861032	861033
GTIN / EAN:	4262493351922	4262493351939
initial luminous flux:	3,360 / 4,200 / 4,900 lm	4,900 lm
initial system efficiency:	140 lm/W	140 lm/W
unified glare rating (UGR):	< 19	< 19
initial, most similar color temperature:	4,000 K	4,000 K
light distribution:	symmetrical	symmetrical
beam angle:	90 degrees	90 degrees
dimming / control:	none	DALI-2
system performance:	switchable between 24, 30 and 35 W	35 W
power consumption:	up to 0.16 A	0.16 A
maximum inrush current:	26 A	26 A
dimensions (L x W x H) of the luminaire:	600 x 600 x 32 mm	600 x 600 x 32 mm
dimensions (L x W x H) of the power supply:	100 x 40 x 26 mm	145 x 45 x 23 mm

tempLED

Accessory catalogue RaySquare V3

art.-no.

GTIN / EAN

**mounting frame**

for mounting the tempLED RaySquare V3 on ceilings, material: aluminum, colour: natural, dimensions: 620 x 620 x 70 mm

861050

4262493351526

**4-point cable suspension**

for suspended mounting of the tempLED RaySquare V3 from the ceiling using four cables, material: steel, colour: natural, maximum suspension depth: 1.20 meters can only be used in combination with the mounting frame 861050

861056

4262493351946