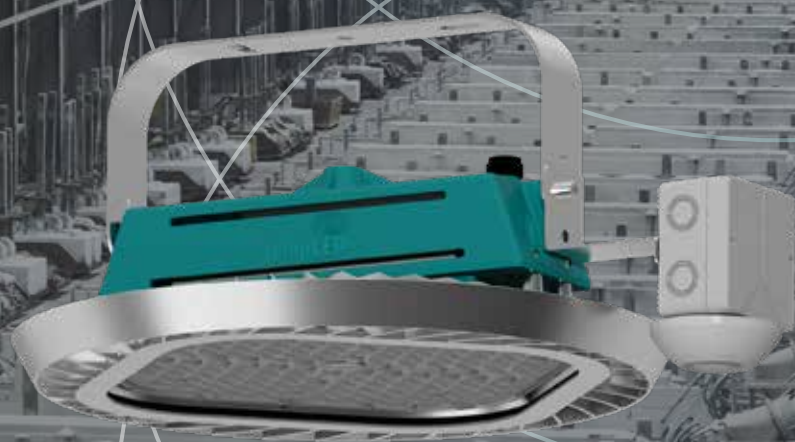


www.tempLED.de


The logo for tempLED, featuring three overlapping teal circles above the text "tempLED" in a blue sans-serif font.

tempLED



INTELLIGENT HALL LIGHT
RayBeam Pro HT ti
200 | 240

Our customer
Trimet

HALL LIGHTS 

tempLED

initial system efficiency
up to 150 lm / w



energy-efficient constant current
power supply with integrated
DALI -2 dimming and optional
constant lumen output (CLO)



modular overall structure
with exchangeable and repla-
ceable main components



pressure compensation mem-
brane to prevent condensation



solid luminaire housing



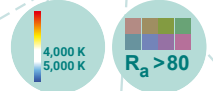
powerful, dust-permeable
heat sink made of
die-cast aluminum



integrated sensor system:



durable and bright
LED light field



impact and UV-resistant high-
performance optical system
with three practical beam angles



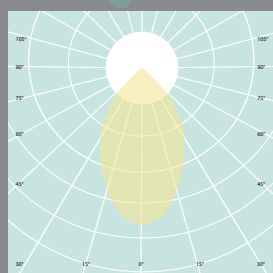
impact-resistant cover
plate made of 5 mm
toughened safety glass



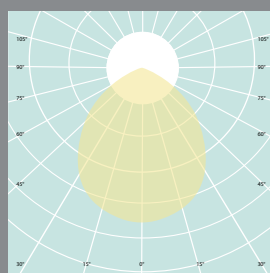
optional safety system:



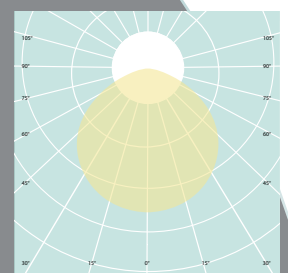
Light distribution curves RayBeam Pro HT ti 200 | 240



60 degrees symmetrical
optical system

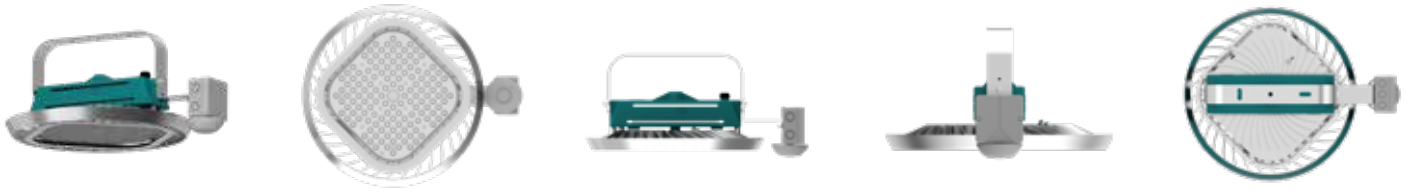


90 degrees symmetrical
optical system

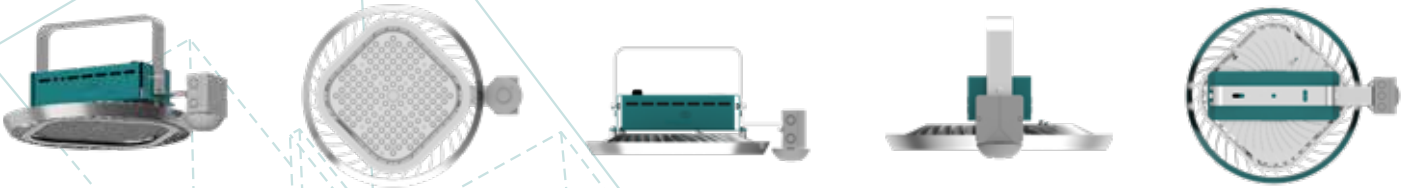


120 degrees symmetrical
optical system

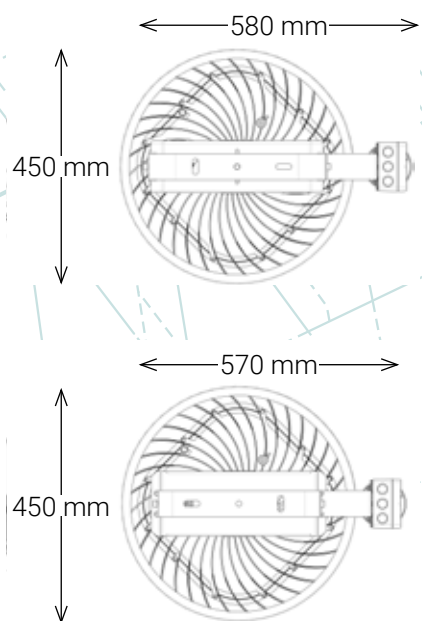
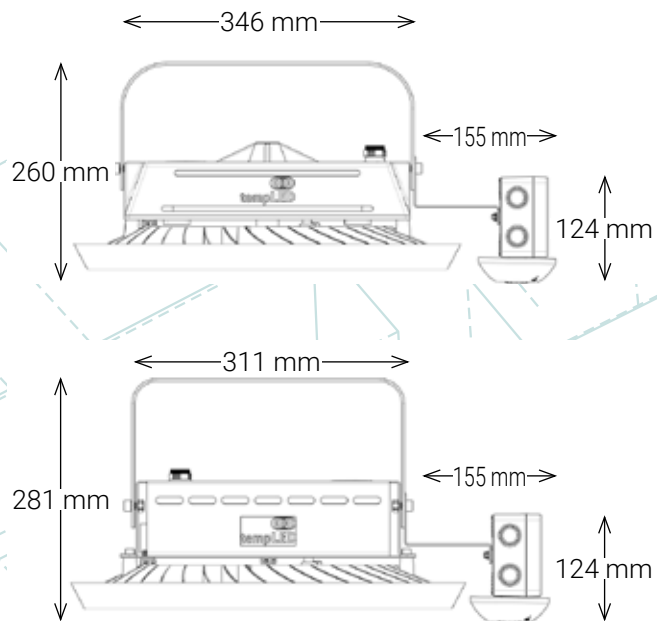
RayBeam Pro HT ti
200



RayBeam Pro HT ti
240



Dimensions RayBeam Pro HT ti
200 | 240



Mounting options RayBeam Pro HT ti
200 | 240

bracket mounting



General technical data

according to IEC, identical for all types of luminaires



Lighting properties:

initial luminous flux:	28,000 to 36,000 lumens
luminous flux tolerance:	± 10 percent
initial system efficiency:	up to 150 lumens / watt
initial, most similar color temperature:	4,000 kelvins 5,000 kelvins ¹
initial color rendering index (CRI):	Ra > 80
initial color consistency:	< 5 SDCM
available symmetrical beam angles:	60 90 120 degrees
photobiological safety:	IEC/TR 62778: 1
compact flicker degree (CFD):	1 percent

Electrotechnical properties:

power supply AC:	220 to 240 volts
supply frequency:	50 / 60 hertz
system performance:	200 to 240 watts
system performance tolerance:	± 10 percent
power factor:	> 0.93
overvoltage protection:	yes
overheating protection:	yes
temperature monitoring:	yes
total harmonic distortion (THD):	< 20 percent
temperature classification (ATEX):	T5
Tc - temperature:	+89 degrees Celsius

Energy characteristics:

Valid for all tempLED RayBeam Pro HT with beam angle 60 and 90 degrees: This product contains a light source of energy efficiency class D.

Valid for all tempLED RayBeam Pro HT with beam angle 120 degrees: This product contains a light source of energy efficiency class C.

Mounting options:

standard mounting options:	ceiling bracket
----------------------------	-----------------

¹ additional color temperatures on request.

Control and safety properties:

dimming and motion detection:	via integrated ENLIGHTED sensor system
emergency light module:	optional ¹
daylight control system:	via integrated ENLIGHTED sensor system

Housing properties:

ambient temperature:	0 to +65 degrees Celsius
ingress protection:	IP 65
impact resistance level:	IK08
electrical protection class:	I
limited surface temperatur (D):	yes
pressure compensation membrane:	yes
housing and heat sink material(s):	die-cast aluminum
material(s) and finish of the standard ceiling bracket:	stainless steel, powder-coated in white aluminium according to RAL 9006 ³
material of optical system:	impact- and UV-resistant polycarbonate
cover plate material:	5 mm impact-resistant toughened safety glass, clear
luminaire housing color:	white aluminium according to RAL 9006 ²
power supply housing color:	water blue according to RAL 5021 ²
surface finish:	powder coating ²
supply cable type:	H05RN-F 3G1
supply cable length:	250 centimeters
supply cable inlet:	plug connector
supply cable connection type:	open cable end
number of poles:	3 grid

Additional information:

certificates:	ENEC in preparation
conformities:	CE and RoHS
lifespan (L70B10C1):	approx. 100,000 hours
lifespan (L90B10C1):	approx. 50,000 hours
guarantee:	5 years ³
spare part guarantee:	10 years
delievery includes:	luminaire, sensor system, ceiling bracket and fall protection

¹ can only be used at ambient temperatures from +5 to +50 degrees Celsius.

² optional luminaire housing colors and finishes: Paintings according to RAL colour chart, powder coatings according to RAL colour chart or synthetic resin coating.

³ according to the warranty conditions of tempLED GmbH, excluding accessories and sensor systems.

Logistic information:

luminaire:	RayBeam Pro 200 240 HT ti
number of luminaires per package:	1
number of luminaires per pallet:	28
net weight of the luminaire:	10,000 g
gross weight per package:	12,000 g
package dimensions L x W x H:	510 x 510 x 270 mm

tempLED 200

STOCK
ITEM

RayBeam Pro 200 - 60 HT ti

STOCK
ITEM

RayBeam Pro 200 - 60 HT ti

article number:	777017	777018
GTIN / EAN:	4260745238526	4260745238533
initial luminous flux:	28,000 lm	28,000 lm
initial system efficiency:	140 lm/w	140 lm/w
initial, most similar color temperature:	4,000 K	5,000 K
light distribution:	symmetrical	symmetrical
beam angle:	60 degrees	60 degrees
dimming / control:	ENLIGHTED	ENLIGHTED
system performance:	200 W	200 W
power consumption:	0.90 A	0.90 A
maximum inrush current:	24 A	24 A
dimensions (L x W x H):	580 x 450 x 270 mm	580 x 450 x 270 mm

tempLED 200

STOCK
ITEM

RayBeam Pro 200 - 90 HT ti

STOCK
ITEM

RayBeam Pro 200 - 120 HT ti

article number:	777019	777020
GTIN / EAN:	4260745238540	4260745238557
initial luminous flux:	28,000 lm	30,000 lm
initial system efficiency:	140 lm/w	150 lm/w
initial, most similar color temperature:	5,000 K	5,000 K
light distribution:	symmetrical	symmetrical
beam angle:	90 degrees	120 degrees
dimming / control:	ENLIGHTED	ENLIGHTED
system performance:	200 W	200 W
power consumption:	0.90 A	0.90 A
maximum inrush current:	24 A	24 A
dimensions (L x W x H):	580 x 450 x 270 mm	580 x 450 x 270 mm

tempLED 240

STOCK
ITEM

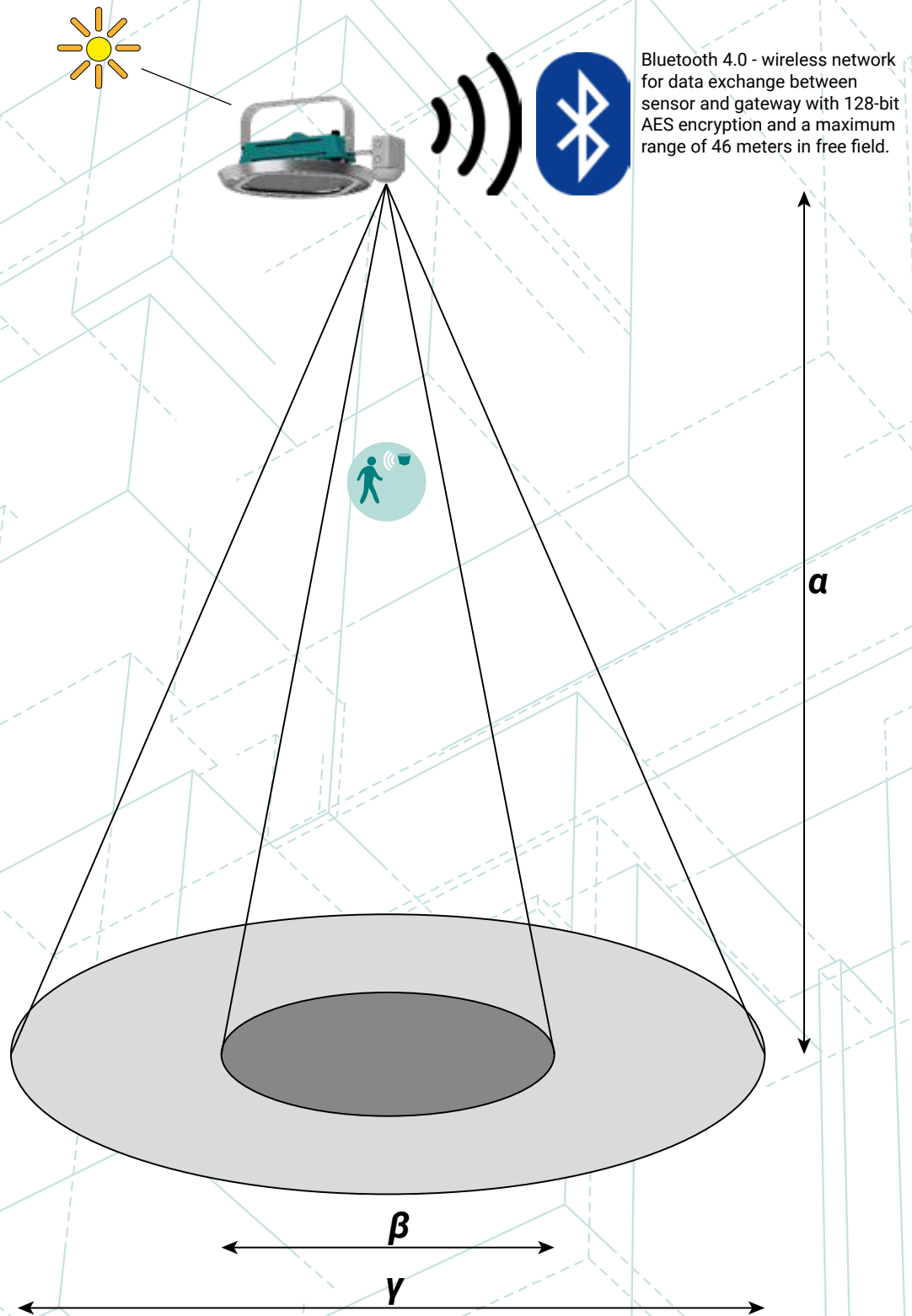
RayBeam Pro 240 - 60 HT ti

STOCK
ITEM








RayBeam Pro 240 - 90 HT ti

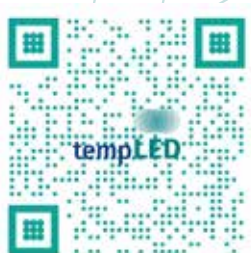
article number:	777021	777001
GTIN / EAN:	4260745238564	4260745238366
initial luminous flux:	33,600 lm	33,600 lm
initial system efficiency:	140 lm/w	140 lm/w
initial, most similar color temperature:	5,000 K	5,000 K
light distribution:	symmetrical	symmetrical
beam angle:	60 degrees	90 degrees
dimming / control:	ENLIGHTED	ENLIGHTED
system performance:	240 W	240 W
power consumption:	1.04 A	1.04 A
maximum inrush current:	24 A	24 A
dimensions (L x W x H):	570 x 450 x 291 mm	570 x 450 x 291 mm

The sensor system



α	β	γ
mounting height	detection range of small movement patterns	detection range of large movement patterns
3.50 meters	2.50 x 2.50 meters	6.00 x 6.00 meters
12.00 meters	6.00 x 6.00 meters	14.00 x 14.00 meters

tempLED	Accessory catalogue RayBeam Pro HT ti	art.-no.	GTIN / EAN
	safety plug 3-pin safety plug with ingress protection IP 44, installed on the supply cable of the luminaire	945400	4260491842251
	supply cable extension ready-to-use 3-pin supply cable extension up to 10 meters	333903	4260491843760
	Wieland connector RST 20i5 5-pin socket part; color coding: turquoise blue, 250 V, 20 A, with protective conductor, for cable diameter 6 - 10 mm	945430	4260491842329
	Wieland connector RST 20i5 5-pin connector part; color coding: turquoise blue, 250 V, 20 A, with protective conductor, installed on the supply cable of the luminaire	945431	4260491842336
	cover plate polycarbonate impact-resistant cover plate, thickness 5 mm, material: polycarbonat, finish: clear	333902	42604919843753
	emergency light module suitable only for tempLED RayBeam Pro 100 / 150 / 200 HT with automatic detection of failure and return of supply voltage, display of functional status, battery type: LiFePO4, running time approx. 3 hours with an output power of approx. 3,5 watts, recharging time: approx. 24 hours, can only be used at ambient temperatures from +5 to +50 degrees Celsius, mounted on the luminaire ready for use	341900	4260745237246
	emergency light module suitable only for tempLED RayBeam Pro 240 HT with automatic detection of failure and return of supply voltage, display of functional status, battery type: LiFePO4, running time approx. 3 hours with an output power of approx. 3,5 watts, recharging time: approx. 24 hours, can only be used at ambient temperatures from +5 to +50 degrees Celsius, mounted on the luminaire ready for use	341901	4260745237253



Direct link to the tempLED
download portal



LED is sustainable.
LED is the future.

tempLED luminaires fulfil a recycling rate of > 90%.
That is our product promise to you.

When will you start?