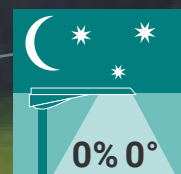
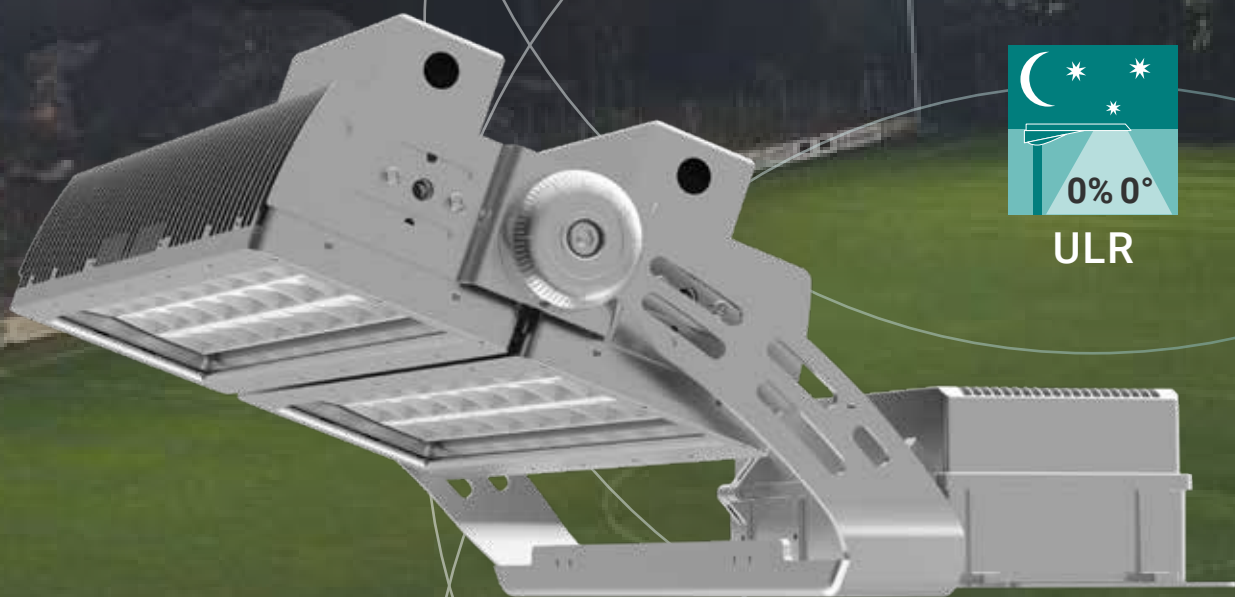


www.tempLED.de

  
tempLED



ULR



FLOOD LIGHT SYSTEM

# tempLED RayField V3

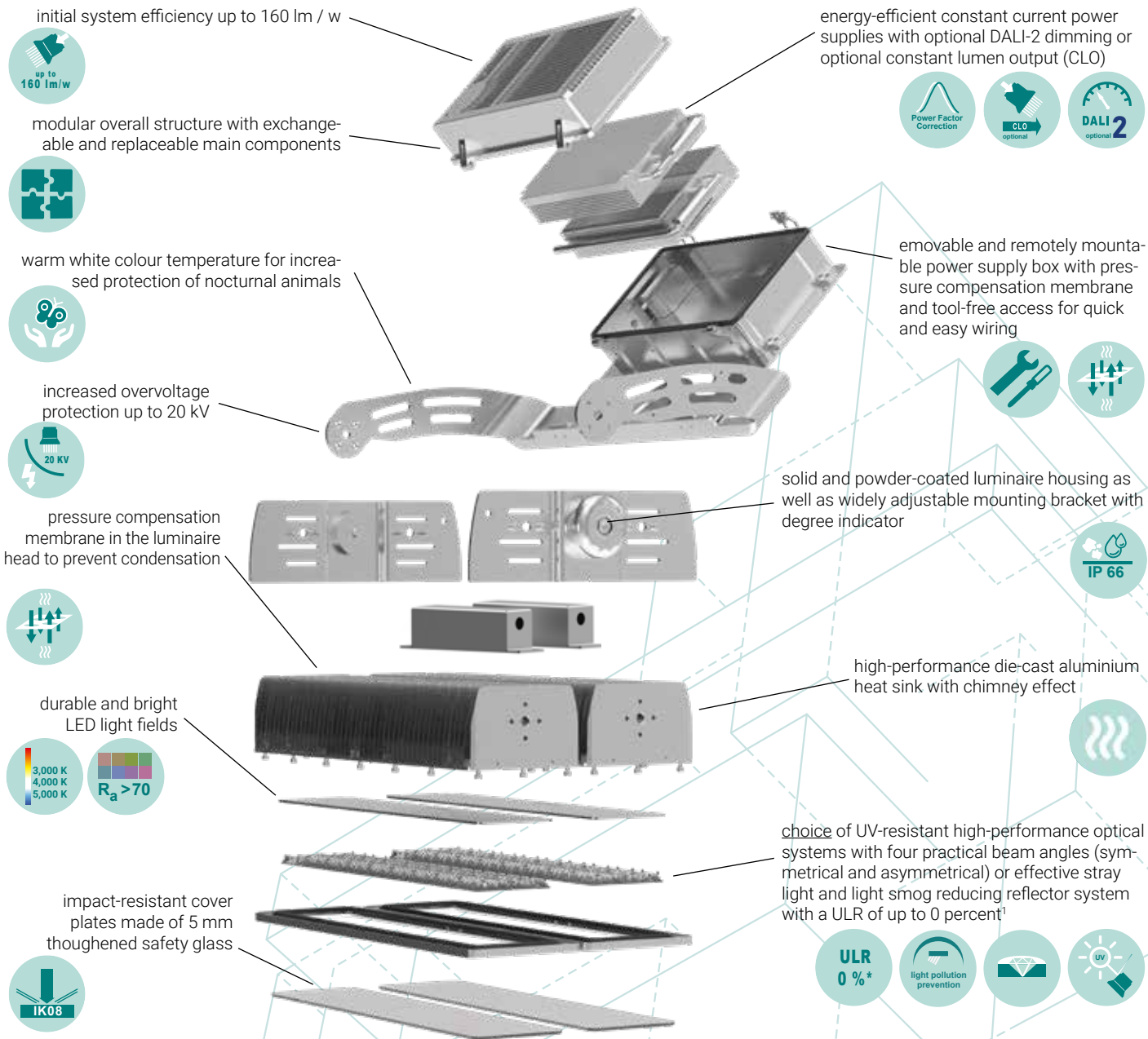
400 | 600 | 800 | 1200 | 1500 | 1800

OUTDOOR LIGHTING 

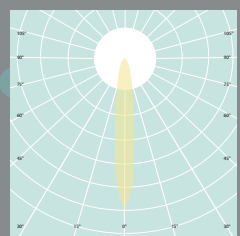
LIGHTING FOR SPORTS FACILITIES 

Our customer  
FC Wildschönau

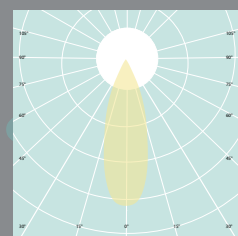
# tempLED



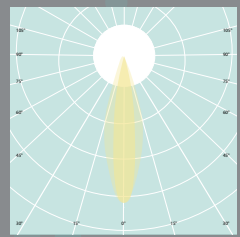
## Light distribution curves tempLED RayField V3 400 | 600 | 800 | 1200 | 1500 | 1800



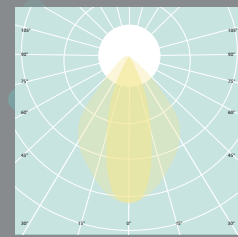
15 degrees symmetrical optical system



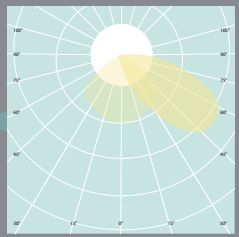
30 degrees symmetrical optical system



20x30 degrees asymmetrical optical system



35x85 degrees asymmetrical optical system

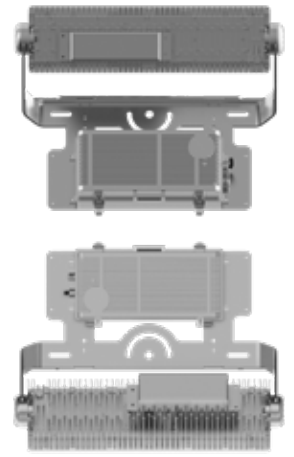
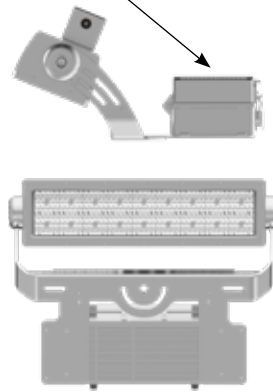
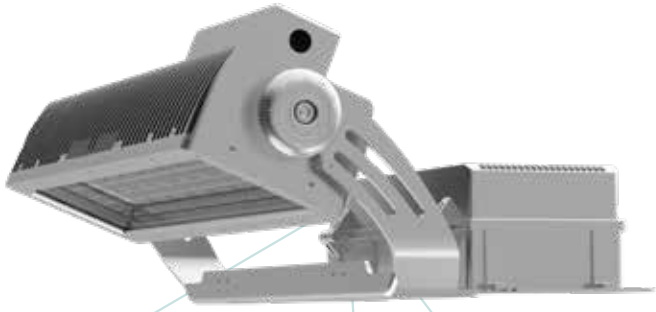


PG 60 asymmetrical reflector system

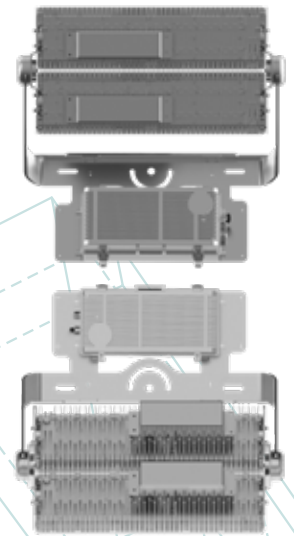
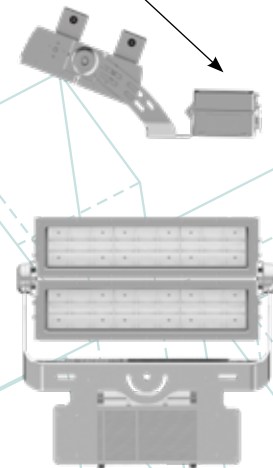
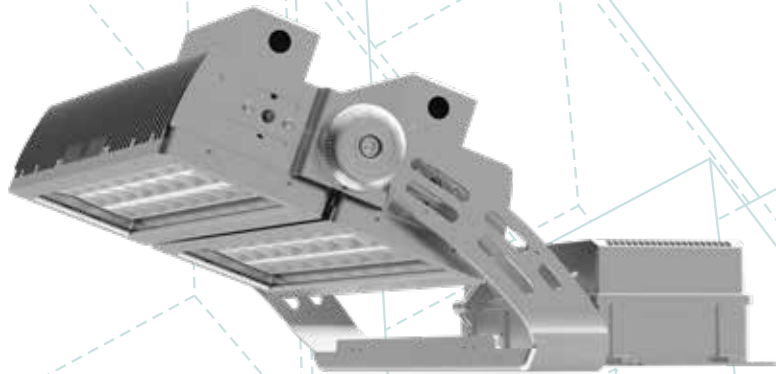
<sup>1</sup> ULR of 0 percent only possible for luminaires with integrated reflector systems at certain luminaire inclination angles and depending on local conditions.

tempLED RayField V3

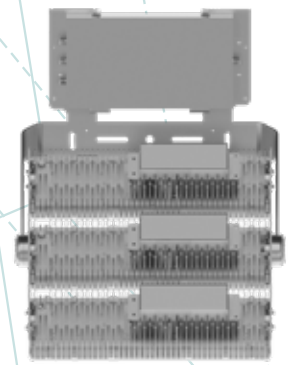
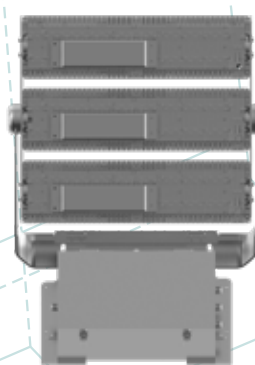
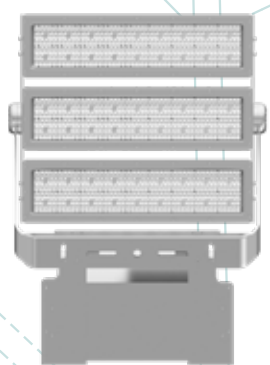
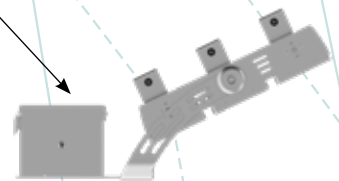
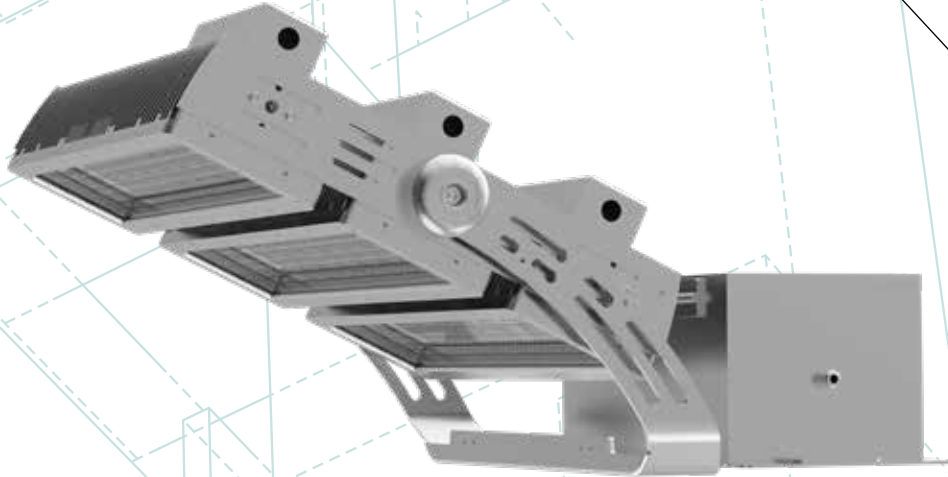
400 | 600 - with power supply box installed on the mounting bracket



800 | 1200 - with power supply box installed on the mounting bracket

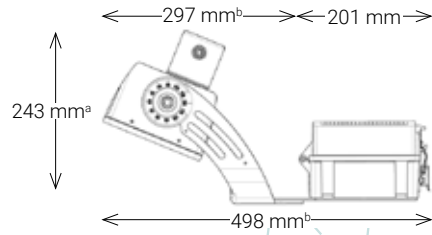
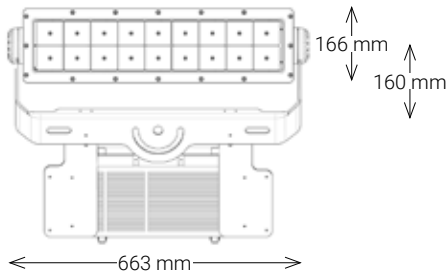


1500 | 1800 - with power supply box installed on the mounting bracket



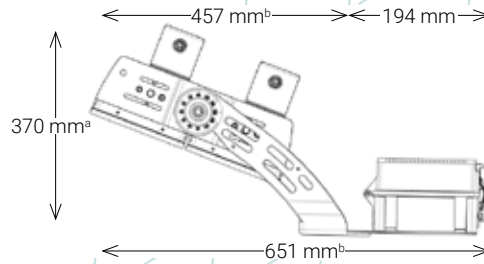
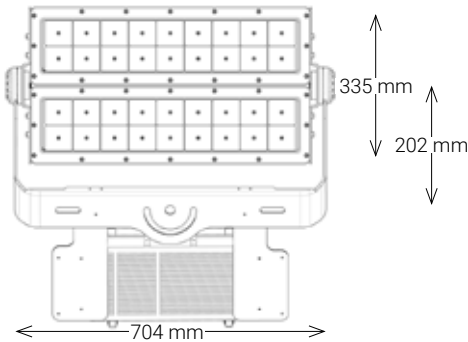
## Dimensions tempLED RayField V3

400 | 600



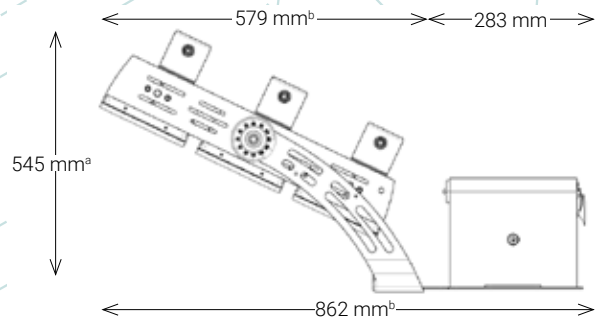
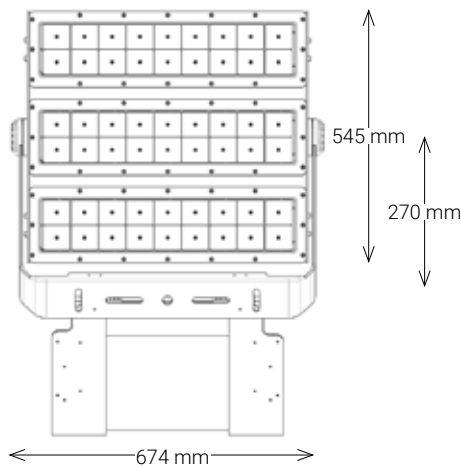
Windage area fw with luminaire inclination angle 0 degrees: 0,14 sqm.  
Space requirement for the power supply box: 400 x 208 x 122 mm<sup>c</sup>.

800 | 1200



Windage area fw with luminaire inclination angle 0 degrees: 0,18 sqm.  
Space requirement for the power supply box: 400 x 208 x 122 mm<sup>c</sup>.

1500 | 1800



Windage area fw with luminaire inclination angle 0 degrees: 0,22 sqm.  
Space requirement for the power supply box: 476 x 254 x 195 mm<sup>c</sup>.

<sup>a</sup> Maximum product height with fully vertical luminaire head = luminaire inclination angle 90 degrees.

<sup>b</sup> Maximum product depth with completely horizontal luminaire head = luminaire inclination angle 0 degrees.

<sup>c</sup> Valid when closed plus space required for hinged cover and cable bending radii.

## Mounting options tempLED RayField V3

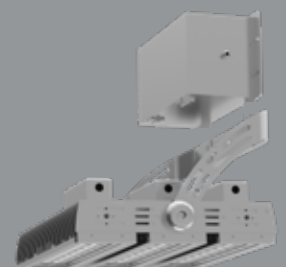
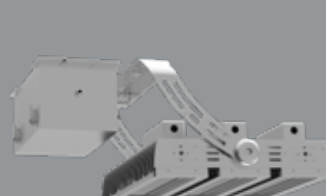
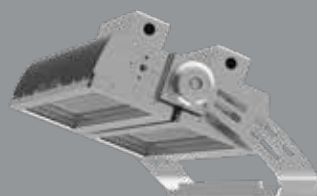
400 | 600 | 800 | 1200 | 1500 | 1800

truss mounting<sup>1</sup>  
with power supply box

truss mounting<sup>1</sup>  
without power supply box

ceiling mounting<sup>1</sup>  
with power supply box<sup>2</sup>

wall mounting<sup>1</sup>  
with power supply box<sup>2</sup>



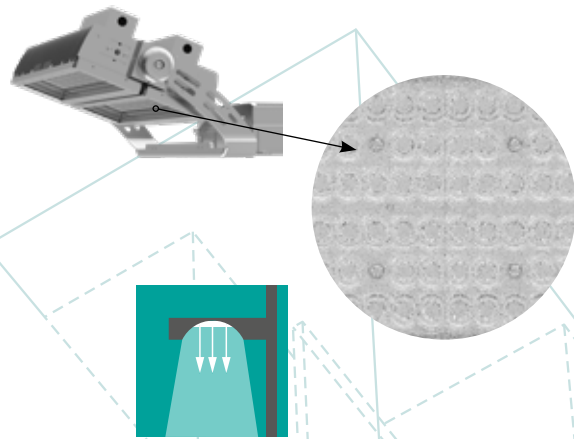
<sup>4</sup> Adjustment range for surface mounting with standard mounting bracket: -180 to +110 degrees.

<sup>5</sup> Wall and ceiling mounting only permitted with power supply box mounted directly on the surface.

## Light control techniques of the tempLED RayField V3

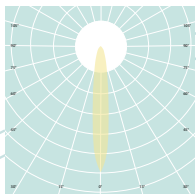
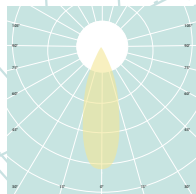
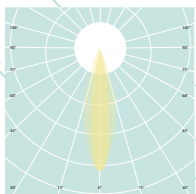
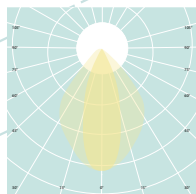
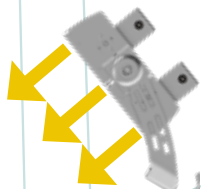
400 | 600 | 800 | 1200 | 1500 | 1800

## High-performance optical system

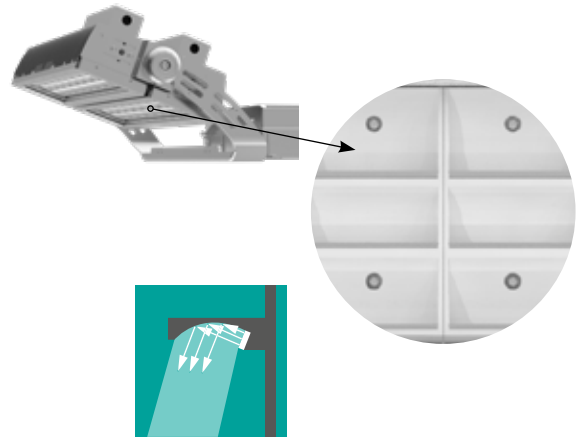


Our UV-resistant and modularly interchangeable high-performance optical systems with flexible beam angles (symmetrical and asymmetrical) and precise light control are the ideal partner for effective, low-loss illumination of both close and distant areas in industry, logistics and at many different sports facilities.

- precise and far-reaching light control
- efficient reduction of stray light
- high luminous fluxes (up to 160 lumens / watt)

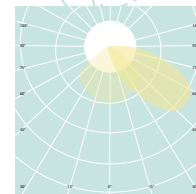
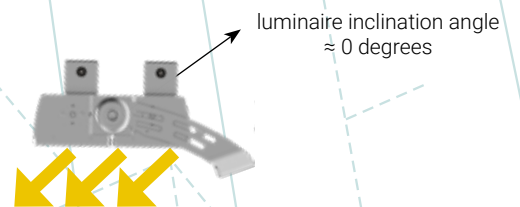
15 degrees  
symmetrical30 degrees  
symmetrical20x30 degrees  
asymmetrical35x85 degrees  
asymmetrical

## High-performance reflector system



Our high-performance reflector system with practical asymmetrical light guides enable a far forward light distribution even at very low luminaire inclination angles with maximum reduced glare. At certain luminaire inclination angles, a ULR of up to 0 percent can be achieved depending on local conditions.

- glare-free and low-loss light control
- efficient reduction of light pollution
- ULR of up to 0 percent at certain luminaire tilt angles

PG 60  
asymmetricalluminaire inclination angle  
≈ 0 degrees

## General technical data

according to IEC, identical for all types of luminaires



### Lighting properties:

initial luminous flux:	52,000 to 288,000 lumens
luminous flux tolerance:	± 10 percent
initial system efficiency:	up to 160 lumens / watt
initial, most similar color temperature:	3,000 kelvins   4,000 kelvins   5,000 kelvins
initial color rendering index (CRI):	Ra > 70
initial color consistency:	< 5 SDCM
available symmetrical beam angles:	15 degrees and 30 degrees with optical systems
available asymmetric beam angles:	20 x 30 degrees and 35 x 85 degrees with optical systems PG 60 with reflector system
photobiological safety:	IEC/TR 62778: 1 <sup>1</sup>
compact flicker degree (CFD):	1 percent
stroboscopic visibility measurement (SVM):	on request
short time flicker (Pst LM):	on request
stray light reduction:	yes, valid for reflector systems: ULR ≈ 0 % at certain luminaire inclination angles
increased protection of nocturnal animals:	yes, valid for 3,000 kelvins only

### Electrotechnical properties:

power supply AC:	100 to 240 volts <sup>2</sup>
supply frequency:	50 / 60 hertz
power supply DC:	127 to 250 volts <sup>3</sup>
system performance:	400 to 1,800 watts
system performance tolerance:	± 10 percent
integrated power supplies:	1 at 400 / 600 watts   2 at 800 / 1,200 Watt   3 at 1,500 / 1,800 watts
power factor:	> 0.90
overvoltage protection:	yes, up to 20 kilovolts
overheating protection:	yes
temperature monitoring:	yes
total harmonic distortion (THD):	< 20 percent
temperature classification (ATEX):	T6
Tc - temperature:	+85 degrees Celsius

### Energy characteristics:

Valid for all tempLED RayField V3 up to 145 lumens / watt:	This product contains a light source of energy efficiency class D.
Valid for all tempLED RayField V3 with 150 lumens / watt and above:	This product contains a light source of energy efficiency class C.

<sup>1</sup> valid from a viewing distance of at least 250 cm.

<sup>2</sup> power supply 277 to 480 VAC - 50/60 Hz on request. <sup>3</sup> power supply 352 to 500 VDC on request.

**Mounting options:**

standard mounting options:	mounting bracket with adjustment range –180 to +110 degrees
vandalism protection on the power supply box:	can be implemented optionally using accessory 368946

**Control and safety properties:**

dimming:	DALI-2 optional
constant lumen output (CLO):	optional

**Housing properties:**

ambient temperature:	–40 to +45 degrees Celsius
ingress protection:	IP 66
impact resistance level:	IK08
electrical protection class:	I
pressure compensation membrane:	yes, in the luminaire head and in the power supply box
housing and heat sink material(s):	die-cast aluminum
material(s) and finish of the standard mounting bracket:	steel, powder-coated in white aluminium according to RAL 9006 <sup>1</sup>
material of optical system or reflector system:	impact- and UV-resistant polycarbonate
cover plate material:	5 mm impact-resistant toughened safety glass, clear
luminaire and power supply housing color:	white aluminium according to RAL 9006 <sup>1</sup>
surface finish:	powder coating <sup>1</sup>
supply cable type:	H05RN-F 3G1.5
supply cable length:	200 centimeters
supply cable inlet:	cable gland
supply cable connection type:	open cable end
number of poles:	3 grid
max. cable length luminaire <-> power supply RayField V3 400/800:	30 / 50 meters (for cable cross section 1.50 / 2.50 sqmm)
max. cable length luminaire <-> power supply RayField V3 600/1200/1500/1800:	15 / 30 meters (for cable cross section 1.50 / 2.50 sqmm)

**Additional information:**

certificates:	ENEC
conformities:	CE and RoHS
lifespan (L70B10C1):	approx. 100,000 hours
lifespan (L90B10C1):	approx. 50,000 hours
guarantee:	5 years <sup>2</sup>
spare part guarantee:	10 years
delievery includes:	luminaire, mounting bracket, fall protection and power supply box with power supply(ies)

<sup>1</sup> optional luminaire housing colors and finishes: Paintings according to RAL colour chart, powder coatings according to RAL colour chart or synthetic resin coating.

<sup>2</sup> according to the warranty conditions of tempLED GmbH, excluding accessories.

**Logistic information:**

luminaire:	RayField V3 400   600	RayField V3 800   1200	RayField V3 1500   1800
number of luminaires per package:	1	1	1
number of luminaires per pallet:	16	7	5
net weight per luminaire head <sup>3</sup> :	12,200 g	22,100 g	33,200 g
net weight per luminaire <sup>4</sup> :	19,200 g	32,000 g	50,400 g
gross weight per package:	22,800 g	36,800 g	57,000 g
package dimensions L x W x H:	720 x 610 x 195 mm	775 x 775 x 195 mm	1,035 x 755 x 275 mm

<sup>3</sup> Without power supply box and power supply units. <sup>4</sup> Including power supply box and power supply units mounted on the bracket.

## Luminaires with symmetrical high-performance optical systems

tempLED <b>400</b>	RayField V3 400 - 15	RayField V3 400 - 15	RayField V3 400 - 15
article number:	368113	368114	368115
GTIN / EAN:	4260745235877	4260745235884	4260745235938
initial luminous flux:	52,000 lm	58,000 lm	58,000 lm
initial system efficiency:	130 lm/W	145 lm/W	145 lm/W
initial, most similar color temperature:	3,000 K	4,000 K	5,000 K
light distribution:	symmetrical	symmetrical	symmetrical
beam angle:	15 degrees	15 degrees	15 degrees
dimming / control:	none	none	none
system performance:	400 W	400 W	400 W
power consumption:	1.80 A	1.80 A	1.80 A
maximum inrush current:	26 A	26 A	26 A
max. dimensions <sup>1</sup> (W x H x L):	663 x 243 x 498 mm	663 x 243 x 498 mm	663 x 243 x 498 mm

tempLED <b>400</b>	RayField V3 400 - 30	RayField V3 400 - 30	RayField V3 400 - 30
article number:	368133	368134	368135
GTIN / EAN:	4260745235914	4260745235921	4260745236058
initial luminous flux:	58,000 lm	64,000 lm	64,000 lm
initial system efficiency:	145 lm/W	160 lm/W	160 lm/W
initial, most similar color temperature:	3,000 K	4,000 K	5,000 K
light distribution:	symmetrical	symmetrical	symmetrical
beam angle:	30 degrees	30 degrees	30 degrees
dimming / control:	none	none	none
system performance:	400 W	400 W	400 W
power consumption:	1.80 A	1.80 A	1.80 A
maximum inrush current:	26 A	26 A	26 A
max. dimensions <sup>1</sup> (W x H x L):	663 x 243 x 498 mm	663 x 243 x 498 mm	663 x 243 x 498 mm

tempLED <b>600</b>	RayField V3 600 - 15	RayField V3 600 - 15	RayField V3 600 - 15
article number:	368213	368214	368215
GTIN / EAN:	4260745235990	4260745236003	4260745236188
initial luminous flux:	78,000 lm	87,000 lm	87,000 lm
initial system efficiency:	130 lm/W	145 lm/W	145 lm/W
initial, most similar color temperature:	3,000 K	4,000 K	5,000 K
light distribution:	symmetrical	symmetrical	symmetrical
beam angle:	15 degrees	15 degrees	15 degrees
dimming / control:	none	none	none
system performance:	600 W	600 W	600 W
power consumption:	2.70 A	2.70 A	2.70 A
maximum inrush current:	14 A	14 A	14 A
max. dimensions <sup>1</sup> (W x H x L):	663 x 243 x 498 mm	663 x 243 x 498 mm	663 x 243 x 498 mm

<sup>1</sup> Maximum dimensions incl. power supply box installed on the mounting bracket. Height specification valid for luminaire inclination angle of 90 degrees. Depth specification valid for luminaire inclination angle of 0 degrees.

## Luminaires with symmetrical high-performance optical systems

tempLED 600	RayField V3 600 - 30	RayField V3 600 - 30	RayField V3 600 - 30
article number:	368233	368234	368235
GTIN / EAN:	4260745236034	4260745236041	4260745236300
initial luminous flux:	87,000 lm	96,000 lm	96,000 lm
initial system efficiency:	145 lm/W	160 lm/W	160 lm/W
initial, most similar color temperature:	3,000 K	4,000 K	5,000 K
light distribution:	symmetrical	symmetrical	symmetrical
beam angle:	30 degrees	30 degrees	30 degrees
dimming / control:	none	none	none
system performance:	600 W	600 W	600 W
power consumption:	2.70 A	2.70 A	2.70 A
maximum inrush current:	14 A	14 A	14 A
max. dimensions <sup>1</sup> (W x H x L):	663 x 243 x 498 mm	663 x 243 x 498 mm	663 x 243 x 498 mm

tempLED 800	RayField V3 800 - 15	RayField V3 800 - 15	RayField V3 800 - 15
article number:	368313	368314	368315
GTIN / EAN:	4260745236119	4260745236126	4260745236539
initial luminous flux:	104,000 lm	116,000 lm	116,000 lm
initial system efficiency:	130 lm/W	145 lm/W	145 lm/W
initial, most similar color temperature:	3,000 K	4,000 K	5,000 K
light distribution:	symmetrical	symmetrical	symmetrical
beam angle:	15 degrees	15 degrees	15 degrees
dimming / control:	none	none	none
system performance:	800 W	800 W	800 W
power consumption:	3.50 A	3.50 A	3.50 A
maximum inrush current:	52 A	52 A	52 A
max. dimensions <sup>1</sup> (W x H x L):	704 x 370 x 651 mm	704 x 370 x 651 mm	704 x 370 x 651 mm

tempLED 800	RayField V3 800 - 30	RayField V3 800 - 30	RayField V3 800 - 30
article number:	368333	368334	368335
GTIN / EAN:	4260745236157	4260745236164	4260745239271
initial luminous flux:	116,000 lm	128,000 lm	128,000 lm
initial system efficiency:	145 lm/W	160 lm/W	160 lm/W
initial, most similar color temperature:	3,000 K	4,000 K	5,000 K
light distribution:	symmetrical	symmetrical	symmetrical
beam angle:	30 degrees	30 degrees	30 degrees
dimming / control:	none	none	none
system performance:	800 W	800 W	800 W
power consumption:	3.50 A	3.50 A	3.50 A
maximum inrush current:	52 A	52 A	52 A
max. dimensions <sup>1</sup> (W x H x L):	704 x 370 x 651 mm	704 x 370 x 651 mm	704 x 370 x 651 mm

<sup>1</sup> Maximum dimensions incl. power supply box installed on the mounting bracket. Height specification valid for luminaire inclination angle of 90 degrees. Depth specification valid for luminaire inclination angle of 0 degrees.

## Luminaires with symmetrical high-performance optical systems

tempLED <b>1200</b>	RayField V3 1200 - 15	RayField V3 1200 - 15	RayField V3 1200 - 15
article number:	368413	368414	368415
GTIN / EAN:	4260745236232	4260745236249	4260745239301
initial luminous flux:	156,000 lm	174,000 lm	174,000 lm
initial system efficiency:	130 lm/W	145 lm/W	145 lm/W
initial, most similar color temperature:	3,000 K	4,000 K	5,000 K
light distribution:	symmetrical	symmetrical	symmetrical
beam angle:	15 degrees	15 degrees	15 degrees
dimming / control:	none	none	none
system performance:	1,200 W	1,200 W	1,200 W
power consumption:	5.50 A	5.50 A	5.50 A
maximum inrush current:	28 A	28 A	28 A
max. dimensions <sup>1</sup> (W x H x L):	704 x 370 x 651 mm	704 x 370 x 651 mm	704 x 370 x 651 mm

tempLED <b>1200</b>	RayField V3 1200 - 30	RayField V3 1200 - 30	RayField V3 1200 - 30
article number:	368433	368434	368435
GTIN / EAN:	4260745236270	4260745236287	4260745239325
initial luminous flux:	174,000 lm	192,000 lm	192,000 lm
initial system efficiency:	145 lm/W	160 lm/W	160 lm/W
initial, most similar color temperature:	3,000 K	4,000 K	5,000 K
light distribution:	symmetrical	symmetrical	symmetrical
beam angle:	30 degrees	30 degrees	30 degrees
dimming / control:	none	none	none
system performance:	1,200 W	1,200 W	1,200 W
power consumption:	5.50 A	5.50 A	5.50 A
maximum inrush current:	28 A	28 A	28 A
max. dimensions <sup>1</sup> (W x H x L):	704 x 370 x 651 mm	704 x 370 x 651 mm	704 x 370 x 651 mm

tempLED <b>1500</b>	RayField V3 1500 - 15	RayField V3 1500 - 15	RayField V3 1500 - 15
article number:	368513	368514	368515
GTIN / EAN:	4260745236355	4260745236362	4260745239356
initial luminous flux:	195,000 lm	217,500 lm	217,500 lm
initial system efficiency:	130 lm/W	145 lm/W	145 lm/W
initial, most similar color temperature:	3,000 K	4,000 K	5,000 K
light distribution:	symmetrical	symmetrical	symmetrical
beam angle:	15 degrees	15 degrees	15 degrees
dimming / control:	none	none	none
system performance:	1,500 W	1,500 W	1,500 W
power consumption:	7.00 A	7.00 A	7.00 A
maximum inrush current:	42 A	42 A	42 A
max. dimensions <sup>1</sup> (W x H x L):	674 x 545 x 862 mm	674 x 545 x 862 mm	674 x 545 x 862 mm

<sup>1</sup> Maximum dimensions incl. power supply box installed on the mounting bracket. Height specification valid for luminaire inclination angle of 90 degrees. Depth specification valid for luminaire inclination angle of 0 degrees.

## Luminaires with symmetrical high-performance optical systems

tempLED <b>1500</b>	RayField V3 1500 - 30	RayField V3 1500 - 30	RayField V3 1500 - 30
article number:	368533	368534	368535
GTIN / EAN:	4260745236393	4260745236409	4260745239370
initial luminous flux:	217,500 lm	240,000 lm	240,000 lm
initial system efficiency:	145 lm/W	160 lm/W	160 lm/W
initial, most similar color temperature:	3,000 K	4,000 K	5,000 K
light distribution:	symmetrical	symmetrical	symmetrical
beam angle:	30 degrees	30 degrees	30 degrees
dimming / control:	none	none	none
system performance:	1,500 W	1,500 W	1,500 W
power consumption:	7.00 A	7.00 A	7.00 A
maximum inrush current:	42 A	42 A	42 A
max. dimensions <sup>1</sup> (W x H x L):	674 x 545 x 862 mm	674 x 545 x 862 mm	674 x 545 x 862 mm

tempLED <b>1800</b>	RayField V3 1800 - 15	RayField V3 1800 - 15	RayField V3 1800 - 15
article number:	368613	368614	368615
GTIN / EAN:	4260745236478	4260745236485	4260745239400
initial luminous flux:	234,000 lm	261,000 lm	261,000 lm
initial system efficiency:	130 lm/W	145 lm/W	145 lm/W
initial, most similar color temperature:	3,000 K	4,000 K	5,000 K
light distribution:	symmetrical	symmetrical	symmetrical
beam angle:	15 degrees	15 degrees	15 degrees
dimming / control:	none	none	none
system performance:	1,800 W	1,800 W	1,800 W
power consumption:	8.00 A	8.00 A	8.00 A
maximum inrush current:	42 A	42 A	42 A
max. dimensions <sup>1</sup> (W x H x L):	674 x 545 x 862 mm	674 x 545 x 862 mm	674 x 545 x 862 mm

tempLED <b>1800</b>	RayField V3 1800 - 30	RayField V3 1800 - 30	RayField V3 1800 - 30
article number:	368633	368634	368635
GTIN / EAN:	4260745236515	4260745236522	4260745239424
initial luminous flux:	261,000 lm	288,000 lm	288,000 lm
initial system efficiency:	145 lm/W	160 lm/W	160 lm/W
initial, most similar color temperature:	3,000 K	4,000 K	5,000 K
light distribution:	symmetrical	symmetrical	symmetrical
beam angle:	30 degrees	30 degrees	30 degrees
dimming / control:	none	none	none
system performance:	1,800 W	1,800 W	1,800 W
power consumption:	8.00 A	8.00 A	8.00 A
maximum inrush current:	42 A	42 A	42 A
max. dimensions <sup>1</sup> (W x H x L):	674 x 545 x 862 mm	674 x 545 x 862 mm	674 x 545 x 862 mm

<sup>1</sup> Maximum dimensions incl. power supply box installed on the mounting bracket. Height specification valid for luminaire inclination angle of 90 degrees. Depth specification valid for luminaire inclination angle of 0 degrees.

## Luminaires with asymmetrical high-performance optical systems

tempLED 400	RayField V3 400 - 20x30	RayField V3 400 - 20x30	RayField V3 400 - 20x30
article number:	368123	368124	368125
GTIN / EAN:	4260745235891	4260745235907	4260745235945
initial luminous flux:	54,000 lm	60,000 lm	60,000 lm
initial system efficiency:	135 lm/W	150 lm/W	150 lm/W
initial, most similar color temperature:	3,000 K	4,000 K	5,000 K
light distribution:	asymmetrical	asymmetrical	asymmetrical
beam angle:	20 x 30 degrees	20 x 30 degrees	20 x 30 degrees
dimming / control:	none	none	none
system performance:	400 W	400 W	400 W
power consumption:	1.80 A	1.80 A	1.80 A
maximum inrush current:	26 A	26 A	26 A
max. dimensions <sup>1</sup> (W x H x L):	663 x 243 x 498 mm	663 x 243 x 498 mm	663 x 243 x 498 mm

tempLED 400	RayField V3 400 - 35x85	RayField V3 400 - 35x85	RayField V3 400 - 35x85
article number:	368153	368154	368155
GTIN / EAN:	4260745235952	4260745235969	4260745236065
initial luminous flux:	58,000 lm	64,000 lm	64,000 lm
initial system efficiency:	145 lm/W	160 lm/W	160 lm/W
initial, most similar color temperature:	3,000 K	4,000 K	5,000 K
light distribution:	asymmetrical	asymmetrical	asymmetrical
beam angle:	35 x 85 degrees	35 x 85 degrees	35 x 85 degrees
dimming / control:	none	none	none
system performance:	400 W	400 W	400 W
power consumption:	1.80 A	1.80 A	1.80 A
maximum inrush current:	26 A	26 A	26 A
max. dimensions <sup>1</sup> (W x H x L):	663 x 243 x 498 mm	663 x 243 x 498 mm	663 x 243 x 498 mm

tempLED 600	RayField V3 600 - 20x30	RayField V3 600 - 20x30	RayField V3 600 - 20x30
article number:	368223	368224	368225
GTIN / EAN:	4260745236010	4260745236027	4260745236294
initial luminous flux:	81,000 lm	90,000 lm	90,000 lm
initial system efficiency:	135 lm/W	150 lm/W	150 lm/W
initial, most similar color temperature:	3,000 K	4,000 K	5,000 K
light distribution:	asymmetrical	asymmetrical	asymmetrical
beam angle:	20 x 30 degrees	20 x 30 degrees	20 x 30 degrees
dimming / control:	none	none	none
system performance:	600 W	600 W	600 W
power consumption:	2.70 A	2.70 A	2.70 A
maximum inrush current:	14 A	14 A	14 A
max. dimensions <sup>1</sup> (W x H x L):	663 x 243 x 498 mm	663 x 243 x 498 mm	663 x 243 x 498 mm

<sup>1</sup> Maximum dimensions incl. power supply box installed on the mounting bracket. Height specification valid for luminaire inclination angle of 90 degrees. Depth specification valid for luminaire inclination angle of 0 degrees.

## Luminaires with asymmetrical high-performance optical systems

tempLED 600	RayField V3 600 - 35x85	RayField V3 600 - 35x85	RayField V3 600 - 35x85
article number:	368253	368254	368255
GTIN / EAN:	4260745236072	4260745236089	4260745236416
initial luminous flux:	87,000 lm	96,000 lm	96,000 lm
initial system efficiency:	145 lm/W	160 lm/W	160 lm/W
initial, most similar color temperature:	3,000 K	4,000 K	5,000 K
light distribution:	asymmetrical	asymmetrical	asymmetrical
beam angle:	35 x 85 degrees	35 x 85 degrees	35 x 85 degrees
dimming / control:	none	none	none
system performance:	600 W	600 W	600 W
power consumption:	2.70 A	2.70 A	2.70 A
maximum inrush current:	14 A	14 A	14 A
max. dimensions <sup>1</sup> (W x H x L):	663 x 243 x 498 mm	663 x 243 x 498 mm	663 x 243 x 498 mm

tempLED 800	RayField V3 800 - 20x30	RayField V3 800 - 20x30	RayField V3 800 - 20x30
article number:	368323	368324	368325
GTIN / EAN:	4260745236133	4260745236140	4260745236546
initial luminous flux:	108,000 lm	120,000 lm	120,000 lm
initial system efficiency:	135 lm/W	150 lm/W	150 lm/W
initial, most similar color temperature:	3,000 K	4,000 K	5,000 K
light distribution:	asymmetrical	asymmetrical	asymmetrical
beam angle:	20 x 30 degrees	20 x 30 degrees	20 x 30 degrees
dimming / control:	none	none	none
system performance:	800 W	800 W	800 W
power consumption:	3.50 A	3.50 A	3.50 A
maximum inrush current:	52 A	52 A	52 A
max. dimensions <sup>1</sup> (W x H x L):	704 x 370 x 651 mm	704 x 370 x 651 mm	704 x 370 x 651 mm

tempLED 800	RayField V3 800 - 35x85	RayField V3 800 - 35x85	RayField V3 800 - 35x85
article number:	368353	368354	368355
GTIN / EAN:	4260745236195	4260745236201	4260745239288
initial luminous flux:	116,000 lm	128,000 lm	128,000 lm
initial system efficiency:	145 lm/W	160 lm/W	160 lm/W
initial, most similar color temperature:	3,000 K	4,000 K	5,000 K
light distribution:	asymmetrical	asymmetrical	asymmetrical
beam angle:	35 x 85 degrees	35 x 85 degrees	35 x 85 degrees
dimming / control:	none	none	none
system performance:	800 W	800 W	800 W
power consumption:	3.50 A	3.50 A	3.50 A
maximum inrush current:	52 A	52 A	52 A
max. dimensions <sup>1</sup> (W x H x L):	704 x 370 x 651 mm	704 x 370 x 651 mm	704 x 370 x 651 mm

<sup>1</sup> Maximum dimensions incl. power supply box installed on the mounting bracket. Height specification valid for luminaire inclination angle of 90 degrees. Depth specification valid for luminaire inclination angle of 0 degrees.

## Luminaires with asymmetrical high-performance optical systems

tempLED <b>1200</b>	RayField V3 1200 - 20x30	RayField V3 1200 - 20x30	RayField V3 1200 - 20x30
article number:	368423	368424	368425
GTIN / EAN:	4260745236256	4260745236263	4260745239318
initial luminous flux:	162.000 lm	180.000 lm	180.000 lm
initial system efficiency:	135 lm/W	150 lm/W	150 lm/W
initial, most similar color temperature:	3,000 K	4,000 K	5,000 K
light distribution:	asymmetrical	asymmetrical	asymmetrical
beam angle:	20 x 30 degrees	20 x 30 degrees	20 x 30 degrees
dimming / control:	none	none	none
system performance:	1,200 W	1,200 W	1,200 W
power consumption:	5.50 A	5.50 A	5.50 A
maximum inrush current:	28 A	28 A	28 A
max. dimensions <sup>1</sup> (W x H x L):	704 x 370 x 651 mm	704 x 370 x 651 mm	704 x 370 x 651 mm

tempLED <b>1200</b>	RayField V3 1200 - 35x85	RayField V3 1200 - 35x85	RayField V3 1200 - 35x85
article number:	368453	368454	368455
GTIN / EAN:	4260745236317	4260745236324	4260745239332
initial luminous flux:	174.000 lm	192.000 lm	192.000 lm
initial system efficiency:	145 lm/W	160 lm/W	160 lm/W
initial, most similar color temperature:	3,000 K	4,000 K	5,000 K
light distribution:	asymmetrical	asymmetrical	asymmetrical
beam angle:	35 x 85 degrees	35 x 85 degrees	35 x 85 degrees
dimming / control:	none	none	none
system performance:	1,200 W	1,200 W	1,200 W
power consumption:	5.50 A	5.50 A	5.50 A
maximum inrush current:	28 A	28 A	28 A
max. dimensions <sup>1</sup> (W x H x L):	704 x 370 x 651 mm	704 x 370 x 651 mm	704 x 370 x 651 mm

tempLED <b>1500</b>	RayField V3 1500 - 20x30	RayField V3 1500 - 20x30	RayField V3 1500 - 20x30
article number:	368523	368524	368525
GTIN / EAN:	4260745236379	4260745236386	4260745239363
initial luminous flux:	202.500 lm	225.000 lm	225.000 lm
initial system efficiency:	135 lm/W	150 lm/W	150 lm/W
initial, most similar color temperature:	3,000 K	4,000 K	5,000 K
light distribution:	asymmetrical	asymmetrical	asymmetrical
beam angle:	20 x 30 degrees	20 x 30 degrees	20 x 30 degrees
dimming / control:	none	none	none
system performance:	1,500 W	1,500 W	1,500 W
power consumption:	7.00 A	7.00 A	7.00 A
maximum inrush current:	42 A	42 A	42 A
max. dimensions <sup>1</sup> (W x H x L):	674 x 545 x 862 mm	674 x 545 x 862 mm	674 x 545 x 862 mm

<sup>1</sup> Maximum dimensions incl. power supply box installed on the mounting bracket. Height specification valid for luminaire inclination angle of 90 degrees. Depth specification valid for luminaire inclination angle of 0 degrees.

## Luminaires with asymmetrical high-performance optical systems

## tempLED 1500

	RayField V3 1500 - 35x85	RayField V3 1500 - 35x85	RayField V3 1500 - 35x85
article number:	368553	368554	368555
GTIN / EAN:	4260745236430	4260745236447	4260745239387
initial luminous flux:	217.500 lm	240.000 lm	240.000 lm
initial system efficiency:	145 lm/W	160 lm/W	160 lm/W
initial, most similar color temperature:	3,000 K	4,000 K	5,000 K
light distribution:	asymmetrical	asymmetrical	asymmetrical
beam angle:	35 x 85 degrees	35 x 85 degrees	35 x 85 degrees
dimming / control:	none	none	none
system performance:	1,500 W	1,500 W	1,500 W
power consumption:	7.00 A	7.00 A	7.00 A
maximum inrush current:	42 A	42 A	42 A
max. dimensions <sup>1</sup> (W x H x L):	674 x 545 x 862 mm	674 x 545 x 862 mm	674 x 545 x 862 mm

## tempLED 1800

	RayField V3 1800 - 20x30	RayField V3 1800 - 20x30	RayField V3 1800 - 20x30
article number:	368623	368624	368625
GTIN / EAN:	4260745236492	4260745236508	4260745239417
initial luminous flux:	243.000 lm	270.000 lm	270.000 lm
initial system efficiency:	135 lm/W	150 lm/W	150 lm/W
initial, most similar color temperature:	3,000 K	4,000 K	5,000 K
light distribution:	asymmetrical	asymmetrical	asymmetrical
beam angle:	20 x 30 degrees	20 x 30 degrees	20 x 30 degrees
dimming / control:	none	none	none
system performance:	1,800 W	1,800 W	1,800 W
power consumption:	8.00 A	8.00 A	8.00 A
maximum inrush current:	42 A	42 A	42 A
max. dimensions <sup>1</sup> (W x H x L):	674 x 545 x 862 mm	674 x 545 x 862 mm	674 x 545 x 862 mm

## tempLED 1800

	RayField V3 1800 - 35x85	RayField V3 1800 - 35x85	RayField V3 1800 - 35x85
article number:	368653	368654	368655
GTIN / EAN:	4260745236553	4260745236560	4260745239431
initial luminous flux:	261.000 lm	288.000 lm	288.000 lm
initial system efficiency:	145 lm/W	160 lm/W	160 lm/W
initial, most similar color temperature:	3,000 K	4,000 K	5,000 K
light distribution:	asymmetrical	asymmetrical	asymmetrical
beam angle:	35 x 85 degrees	35 x 85 degrees	35 x 85 degrees
dimming / control:	none	none	none
system performance:	1,800 W	1,800 W	1,800 W
power consumption:	8.00 A	8.00 A	8.00 A
maximum inrush current:	42 A	42 A	42 A
max. dimensions <sup>1</sup> (W x H x L):	674 x 545 x 862 mm	674 x 545 x 862 mm	674 x 545 x 862 mm

STOCK  
ITEMSTOCK  
ITEM

## Luminaires with asymmetrical high-performance reflector systems

## tempLED 400

STOCK  
ITEM

## RayField V3 400 - PG60

STOCK  
ITEM

## RayField V3 400 - PG60

## RayField V3 400 - PG60

article number:	368163	368164	368165
GTIN / EAN:	4260745235976	4260745235983	4260745236171
initial luminous flux:	54.000 lm	60.000 lm	60.000 lm
initial system efficiency:	135 lm/W	150 lm/W	150 lm/W
initial, most similar color temperature:	3,000 K	4,000 K	5,000 K
light distribution:	asymmetrical	asymmetrical	asymmetrical
beam angle:	PG 60	PG 60	PG 60
dimming / control:	none	none	none
system performance:	400 W	400 W	400 W
power consumption:	1.80 A	1.80 A	1.80 A
maximum inrush current:	26 A	26 A	26 A
max. dimensions <sup>1</sup> (W x H x L):	663 x 243 x 498 mm	663 x 243 x 498 mm	663 x 243 x 498 mm

## tempLED 600

## RayField V3 600 - PG60

## RayField V3 600 - PG60

## RayField V3 600 - PG60

article number:	368263	368264	368265
GTIN / EAN:	4260745236096	4260745236102	4260745236423
initial luminous flux:	81.000 lm	90.000 lm	90.000 lm
initial system efficiency:	135 lm/W	150 lm/W	150 lm/W
initial, most similar color temperature:	3,000 K	4,000 K	5,000 K
light distribution:	asymmetrical	asymmetrical	asymmetrical
beam angle:	PG 60	PG 60	PG 60
dimming / control:	none	none	none
system performance:	600 W	600 W	600 W
power consumption:	2.70 A	2.70 A	2.70 A
maximum inrush current:	14 A	14 A	14 A
max. dimensions <sup>1</sup> (W x H x L):	663 x 243 x 498 mm	663 x 243 x 498 mm	663 x 243 x 498 mm

## tempLED 800

STOCK  
ITEM

## RayField V3 800 - PG60

STOCK  
ITEM

## RayField V3 800 - PG60

## RayField V3 800 - PG60

article number:	368363	368364	368365
GTIN / EAN:	4260745236218	4260745236225	4260745239295
initial luminous flux:	108.000 lm	120.000 lm	120.000 lm
initial system efficiency:	135 lm/W	150 lm/W	150 lm/W
initial, most similar color temperature:	3,000 K	4,000 K	5,000 K
light distribution:	asymmetrical	asymmetrical	asymmetrical
beam angle:	PG 60	PG 60	PG 60
dimming / control:	none	none	none
system performance:	800 W	800 W	800 W
power consumption:	3.50 A	3.50 A	3.50 A
maximum inrush current:	52 A	52 A	52 A
max. dimensions <sup>1</sup> (W x H x L):	704 x 370 x 651 mm	704 x 370 x 651 mm	704 x 370 x 651 mm

<sup>1</sup> Maximum dimensions incl. power supply box installed on the mounting bracket. Height specification valid for luminaire inclination angle of 90 degrees. Depth specification valid for luminaire inclination angle of 0 degrees.

## Luminaires with asymmetrical high-performance reflector systems

## tempLED 1200



## RayField V3 1200 - PG60



## RayField V3 1200 - PG60

## RayField V3 1200 - PG60

article number:	368463	368464	368465
GTIN / EAN:	4260745236331	4260745236348	4260745239349
initial luminous flux:	162.000 lm	180.000 lm	180.000 lm
initial system efficiency:	135 lm/W	150 lm/W	150 lm/W
initial, most similar color temperature:	3,000 K	4,000 K	5,000 K
light distribution:	asymmetrical	asymmetrical	asymmetrical
beam angle:	PG 60	PG 60	PG 60
dimming / control:	none	none	none
system performance:	1,200 W	1,200 W	1,200 W
power consumption:	5.50 A	5.50 A	5.50 A
maximum inrush current:	28 A	28 A	28 A
max. dimensions <sup>1</sup> (W x H x L):	704 x 370 x 651 mm	704 x 370 x 651 mm	704 x 370 x 651 mm

## tempLED 1500

## RayField V3 1500 - PG60

## RayField V3 1500 - PG60

## RayField V3 1500 - PG60

article number:	368563	368564	368565
GTIN / EAN:	4260745236454	4260745236461	4260745239394
initial luminous flux:	202.500 lm	225.000 lm	225.000 lm
initial system efficiency:	135 lm/W	150 lm/W	150 lm/W
initial, most similar color temperature:	3,000 K	4,000 K	5,000 K
light distribution:	asymmetrical	asymmetrical	asymmetrical
beam angle:	PG 60	PG 60	PG 60
dimming / control:	none	none	none
system performance:	1,500 W	1,500 W	1,500 W
power consumption:	7.00 A	7.00 A	7.00 A
maximum inrush current:	42 A	42 A	42 A
max. dimensions <sup>1</sup> (W x H x L):	674 x 545 x 862 mm	674 x 545 x 862 mm	674 x 545 x 862 mm

## tempLED 1800



## RayField V3 1800 - PG60



## RayField V3 1800 - PG60

## RayField V3 1800 - PG60

article number:	368663	368664	368665
GTIN / EAN:	4260745236577	4260745236584	4260745239448
initial luminous flux:	243.000 lm	270.000 lm	270.000 lm
initial system efficiency:	135 lm/W	150 lm/W	150 lm/W
initial, most similar color temperature:	3,000 K	4,000 K	5,000 K
light distribution:	asymmetrical	asymmetrical	asymmetrical
beam angle:	PG 60	PG 60	PG 60
dimming / control:	none	none	none
system performance:	1,800 W	1,800 W	1,800 W
power consumption:	8.00 A	8.00 A	8.00 A
maximum inrush current:	42 A	42 A	42 A
max. dimensions <sup>1</sup> (W x H x L):	674 x 545 x 862 mm	674 x 545 x 862 mm	674 x 545 x 862 mm

<sup>1</sup> Maximum dimensions incl. power supply box installed on the mounting bracket. Height specification valid for luminaire inclination angle of 90 degrees. Depth specification valid for luminaire inclination angle of 0 degrees.

**laser aiming system**

for easier and precise alignment of the tempLED RayField V3 during installation.  
e.g. on the basis of lighting design data. Wavelength: red, range > 1,000 m, plug-in system,  
power supply via battery (AG-13, included)

368900

4260745236690

**plug connector**

4-pole plug connector (3+PE) for remote mounting of the power supply box, e.g. at the base of a  
pole, max. wire diameter: 2.5 qmm, outer cable diameter: 9 - 14 mm, protection class: IP66,  
length: 100 mm, diameter: 30 mm, colour: black

**required quantities:**

RayField V3 400/600: 1 piece, RayField V3 800/1200: 2 pieces, RayField V3 1500/1800: 3 pieces

368937

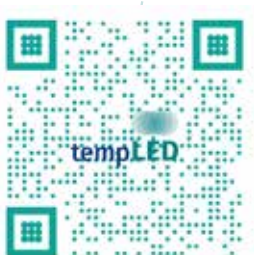
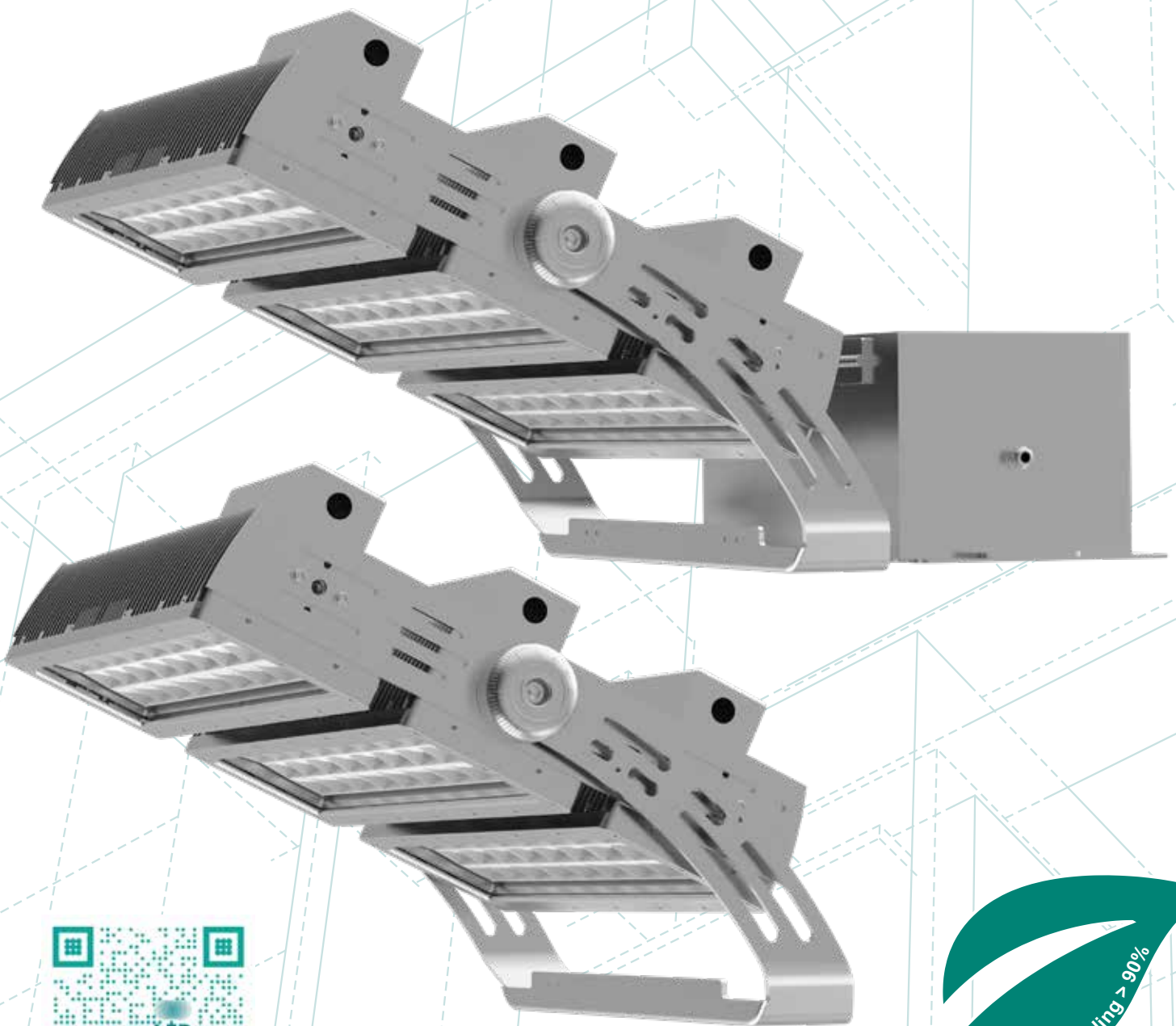
4260669190177

**easy protection against vandalism for the power supply box**

consisting of two metal plates and eight screws to prevent the power supply box from being opened

368946

4262493352516



Direct link to the tempLED  
download portal



LED is sustainable.  
LED is the future.

tempLED luminaires fulfil a recycling rate of > 90%.  
That is our product promise to you.

When will you start?